

# Logic Elements

## DPS2-12-T

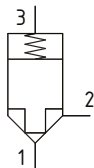
Logic Element, Normally Closed, Poppet Type, Pilot to Close

350 bar [5000 psi] • 114 l/min [30 US gpm]

### DESCRIPTION AND OPERATION

This is a 3-ported, normally closed, pilot to close, poppet type logic element. By opening port 3 to tank, flow can pass from port 2 to port 1 or from port 1 to port 2. Applying pressure to port 3 will prevent the valve from opening in either direction. The area ratio between port 1 and 3 is 1:2 and the ratio between port 1 to 2 is also 1:2. By controlling the pressure in port 3 the valve can be used as an on/ off valve or in a pressure control function.

### SCHEMATIC



### PERFORMANCE DATA

<b>Rated pressure</b>	<b>350 bar [5000 psi]</b>
<b>Rated flow</b>	<b>114 l/min [30 US gpm]</b>
<b>Pilot Ratio</b>	<b>2:1</b>
<b>Leakage</b>	<b>5 drops/min @ 350 bar [5000 psi]</b>
<b>Weight</b>	<b>0.31 kg [0.68 lb]</b>
<b>Cavity</b>	<b>C-12-3S</b>

### MODEL CODE

**DPS2 - 12 - V - T - F - A - 10T - 040**

#### Seal Option

Code	Seal kit
Omit-Buna - N	02-165872
V-Viton	02-165886

#### Adjustment Option

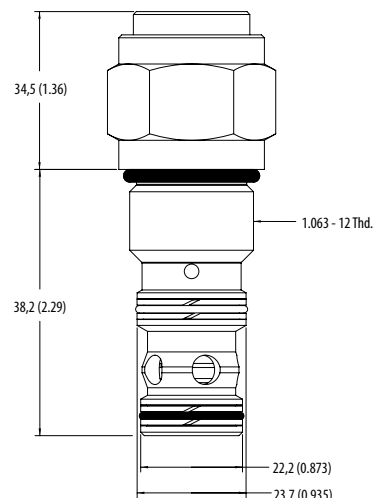
F- Fixed

#### Housing Material

Omit - No housing  
 A - Aluminum  
 S - Steel

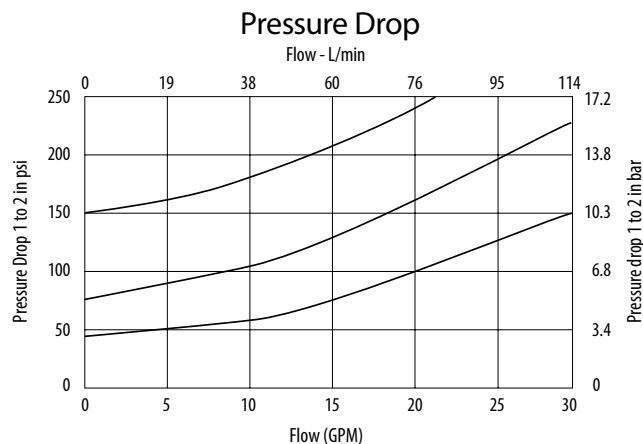
### DIMENSIONS

mm [in]



**Installation torque**  
 A-81-95 Nm [60-70 ft. lbs]  
 S-102-115 Nm [75-85 ft. lbs]

### PERFORMANCE CURVES



#### Differential Pressure

Code	Bar	Psi
040	2.80	[40]
080	5.50	[80]
160	11.0	[160]

#### Housing

Code	Port 1 & 2	Port 3	Aluminium Heavy duty	Steel
0	No housing			
10T	#10 SAE	#6 SAE	02-178268	02-160996
12T	#12 SAE	#6 SAE	02-178269	02-160997
4G	1/2" BSP	3/8" BSP	02-178270	02-160994
6G	3/4" BSP	3/8" BSP	02-178271	02-160995

\* Aluminum bodies are to be used for pressures less than 210 bar [3000 psi].  
 \* Additional housings available