

Logic Elements

DPS2-16-R

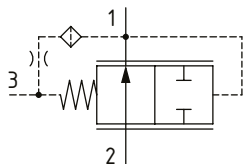
Logic Element, Normally Open, Spool Type, Vent to Close

290 bar [4200 psi] • 189 l/min [50 US gpm]

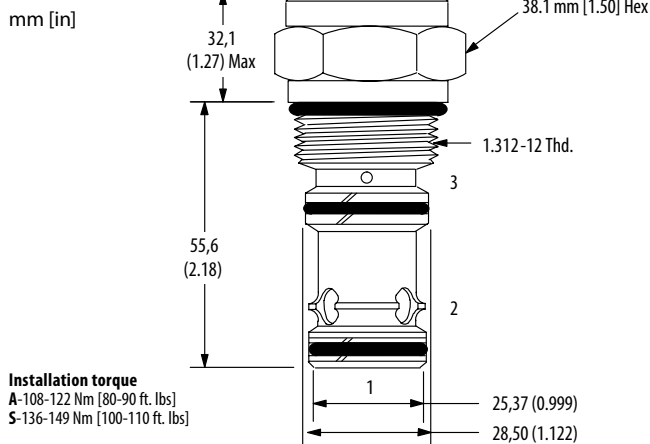
DESCRIPTION AND OPERATION

This is a 3-ported, normally open, vent to close, spool type logic element. Port 1 is connected to port 3 through an orifice. By opening port 3 to tank, flow is blocked from port 1 to port 2 and port 2 to port 1. Closing port 3 will keep the valve open from port 1 to port 2 and port 2 to 1. By controlling the flow or pressure out of port 3 with a secondary valve, this can be used as an on/off valve or as a pressure reducing valve.

SCHEMATIC



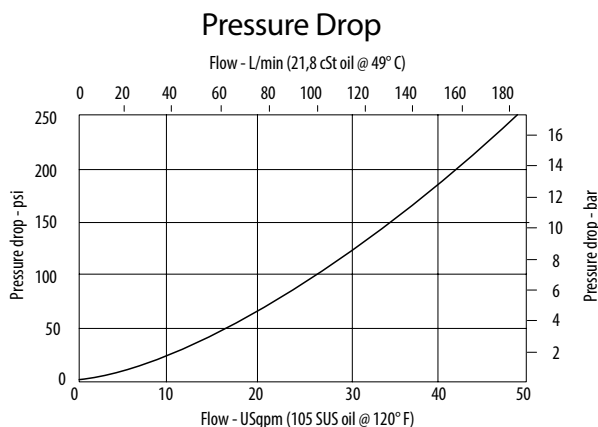
DIMENSIONS



PERFORMANCE DATA

Rated pressure	290 bar [4200 psi]
Rated flow @ 7 bar [100 psi]	189 l/min [50 US gpm]
Leakage	82 ml/min [5 in ³ /min] @ 290 bar [4200 psi]
Weight	0.35 kg [0.78 lb]
Cavity	SDC16-3S

PERFORMANCE CURVES



MODEL CODE

DPS2 - 16 - V - R - A - 4G - F - 005

Seal Option

Code	Seal kit
Omit-Buna - N	889659
V-Viton	02-165871

Housing Material

Omit-No housing
A-Aluminum
S-Steel

Housing

Code	Ports 1 & 2	Port 3	Aluminum Heavy Duty	Steel
0	No Housing			
4G	1/2" BSP	3/8" BSP	02-160676	02-175118
6G	3/4" BSP	3/8" BSP	876726	02-175119
10H	#10 SAE	#6 SAE	876725	
12H	#12 SAE	#6 SAE	786727	
10T	#10 SAE	#6 SAE		02-175116
12T	#12 SAE	#6 SAE		02-175117

* Aluminum bodies are to be used for pressures less than 210 bar [3000 psi].
* Additional housings available

Differential Pressure

Code	Bar	Psi
005	0.35	[5] *
020	1.40	[20] *
040	2.80	[40]
080	5.5	[80]
160	11.0	[160]

* The operating back pressure at port 3 should never be less than 1.3 times the spring set pressure.

Adjustment Option

F-Fixed