

Logic Elements

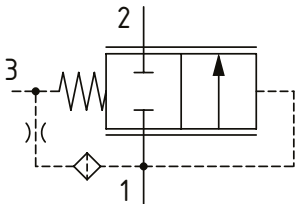
DPS2-16-V

Logic Element, Normally Closed, Spool Type, Vent to Open
290 bar [4200 psi] • 189 l/min [50 US gpm]

DESCRIPTION AND OPERATION

This is a 3-ported, normally closed, vent to open spool type logic element. Port 1 is connected to port 3 through an orifice. By opening port 3 to tank, flow can pass from port 1 to port 2 but not from port 2 to port 1. Closing port 3 will prevent the valve from opening from port 1 to port 2. By controlling the flow or pressure out of port 3 with a secondary valve, the valve can be used as an on/off valve or in a pressure control function.

SCHEMATIC

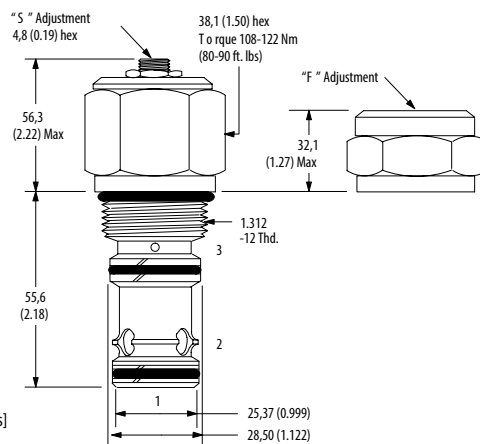


PERFORMANCE DATA

Rated pressure	290 bar [4200 psi]
Rated flow	189 l/min [50 US gpm]
Leakage	82 ml/min [5 in ³ /min] @ 290 bar [4200 psi]
Weight	0.35 kg [0.78 lb]
Cavity	SDC16-3S

DIMENSIONS

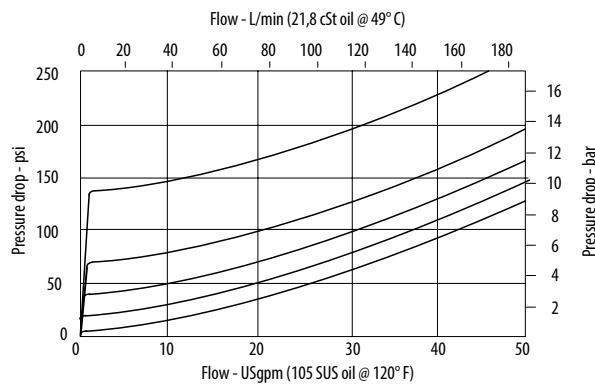
mm [in]



Installation torque
 A-108-122 Nm [80-90 ft. lbs]
 S-136-149 Nm [100-110 ft. lbs]

PERFORMANCE CURVES

Pressure Drop



MODEL CODE

DPS2 - 16 - V - V - A - 4G - F - 005

Seal Option

Code	Seal kit
Omit-Buna - N	889659
V-Viton	02-165871

Housing Material

Omit-No housing
 A-Aluminum
 S-Steel

Housing

Code	Ports 1 & 2	Port 3	Aluminum Heavy Duty	Steel
0	No Housing			
4G	1/2" BSP	3/8" BSP	02-160676	02-175118
6G	3/4" BSP	3/8" BSP	876726	02-175119
10H	#10 SAE	#6 SAE	876725	
12H	#12 SAE	#6 SAE	786727	
10T	#10 SAE	#6 SAE		02-175116
12T	#12 SAE	#6 SAE		02-175117

* Aluminum bodies are to be used for pressures less than 210 bar [3000 psi].
 * Additional housings available

Differential Pressure

Code	Bar	Psi
005	0.35	[5] *
020	1.40	[20] *
040	2.80	[40]
080	5.5	[80]
160	11.0	[160]

* The operating back pressure at port 3 should never be less than 1.3 times the spring set pressure.

Adjustment Option

F- Fixed
 S- Stroke Adjustment