

Logic Elements

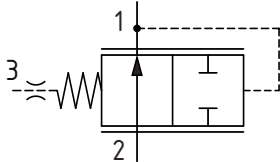
DPS2-20-F

Logic Element, Normally Open, Spool Type, Pilot to Open
290 bar [4200 psi] • 303 l/min [80 US gpm]

DESCRIPTION AND OPERATION

This is a 3-ported, normally open, pilot to open, spool type logic element. Flow is open from port 2 to port 1, until pressure in port 1 is sufficient to overcome the spring set pressure plus any pressure in port 3. The pressure in port 3 can be controlled remotely making the valve ideal for use as a normally open on/off element in a pressure reducing function. This valve is most commonly used as a pressure compensator in conjunction with a proportional directional valve.

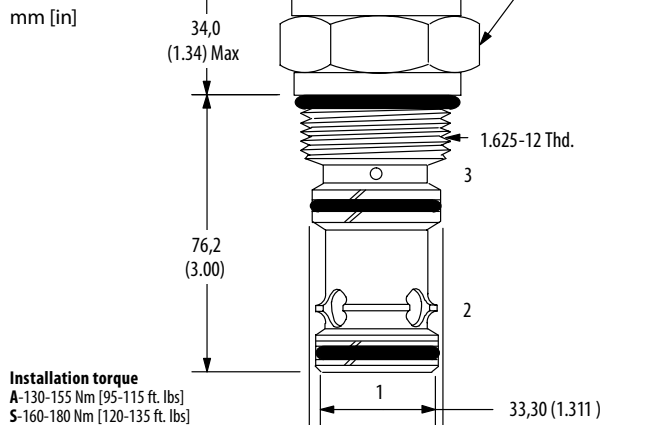
SCHEMATIC



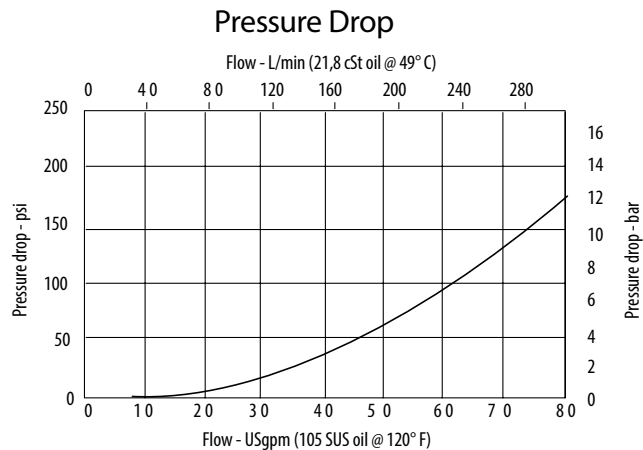
PERFORMANCE DATA

Rated pressure	290 bar [4200 psi]
Rated flow	303 l/min [80 US gpm]
Leakage	82 ml/min [5 in ³ /min] @ 290 bar [4200 psi]
Weight	0.81 kg [1.78 lb]
Cavity	C-20-3S

DIMENSIONS



PERFORMANCE CURVES



MODEL CODE

DPS2 - 20 - V - F - A - 8G - F - 005

Seal Option

Code	Seal kit
Omit-Buna - N	02-113153
V-Viton	02-112969

Housing Material

Omit-No housing
 A-Aluminum
 S-Steel

Housing

Code	Ports 1 & 2	Port 3	Aluminum Heavy Duty	Steel
0	No Housing			
6G	3/4" BSP	3/8" BSP	876740	02-175122
8G	1" BSP	3/8" BSP	876742	02-175123
12H	#12 SAE	#6 SAE	876741	
16H	#16 SAE	#6 SAE	876743	
12T	#12 SAE	#6 SAE		02-175120
16T	#16 SAE	#6 SAE		02-175121

* Aluminum bodies are to be used for pressures less than 210 bar [3000 psi].
 * Additional housings available

Differential Pressure

Code	Bar	Psi
005	0.35	[5] *
010	0.7	[10] *
020	1.40	[20] *
040	2.80	[40]
080	5.5	[80]
160	11.0	[160]

* The operating back pressure at port 3 should never be less than 1.3 times the spring set pressure.

Adjustment Option

F- Fixed