

Logic Elements

LE402

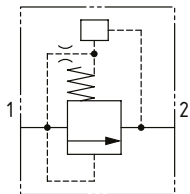
Logic Element, Normally Closed, Spool Type, Pilot Valve Adapter

350 bar [5000 psi] • 350 l/min [93 US gpm]

DESCRIPTION AND OPERATION

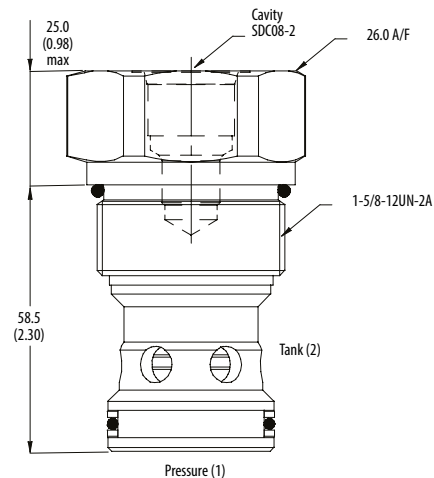
This is a high flow, 2-port logic element where a pilot control valve can be installed into the cavity on the top of the valve. The valve is normally closed from port 1 to 2, with an orifice through the spool connecting port 1 to the inlet port 1 of the control valve. Installing a direct acting relief valve will make this valve a high flow relief valve, a solenoid valve a high flow on/off valve, and a proportional control valve a high flow proportional control valve.

SCHEMATIC



DIMENSIONS

mm [in]

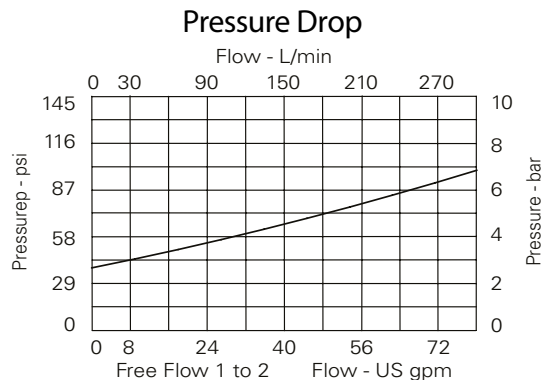


Installation torque
60 Nm [44 ft lbs]

PERFORMANCE DATA

Rated pressure	350 bar [5000 psi]
Rated flow	350 l/min [93 US gpm]
Pilot Valve Cavity	SDC08-2
Leakage	350 ml/min nominal
Weight	0.29 kg [0.63 lb]
Cavity	SDC20-2

PERFORMANCE CURVES



MODEL CODE

LE452 - N - 0.2 - 1DR2-P-40S - 10W - 377

Basic Code

LE402 - No housing
LE452 - Cartridge and housing

Seal Option

Code	Seal Kit
N - Buna-N	SK633
V - Viton	SK633V

Spring Bias

0.2 - 2 bar [29 psi]

Pilot cartridge

Omit - None
1DR2-P-40S
PDR21AN*6**
S207N

Housing Material

Omit - Aluminum/No housing
377 - Steel

Housing

Code	Ports	Aluminum	Steel
Omit	No housing		
10W	1-1/4" BSP	C24005	C24006
12W	1-1/2" BSP	C24007	C24008
20T	1-1/4" SAE	C24011	C24012
24T	1-1/2" SAE	C24013	C24014

* Aluminum bodies are to be used for pressures less than 210 bar [3000 psi].

** Additional housings available