

Logic Elements

LEV402

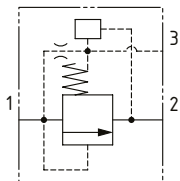
Logic Element, Normally Closed, Spool Type, Vent to Open with Pilot Valve Adapter

250 bar [3600 psi] • 400 l/min [106 US gpm]

DESCRIPTION AND OPERATION

This is a high flow, 3-port logic element where a pilot control valve can be installed into the cavity on the top of the valve. The valve is normally closed from port 1 to 2 with an orifice through the spool connecting port 1 to the inlet port 1 of the control valve and to port 3. Installing a direct acting relief valve will make this valve a high flow relief valve, a solenoid valve a high flow on/off valve, and a proportional control valve a high flow proportional control valve. A second, optional control valve can be connected remotely to port 3. This is ideal for two pressure control or proportional control with a maximum pressure limit.

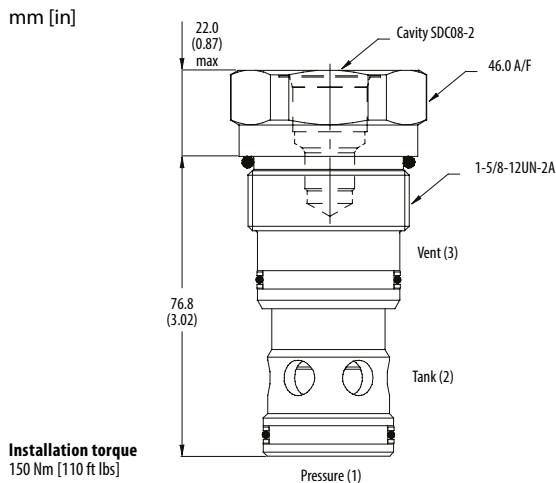
SCHEMATIC



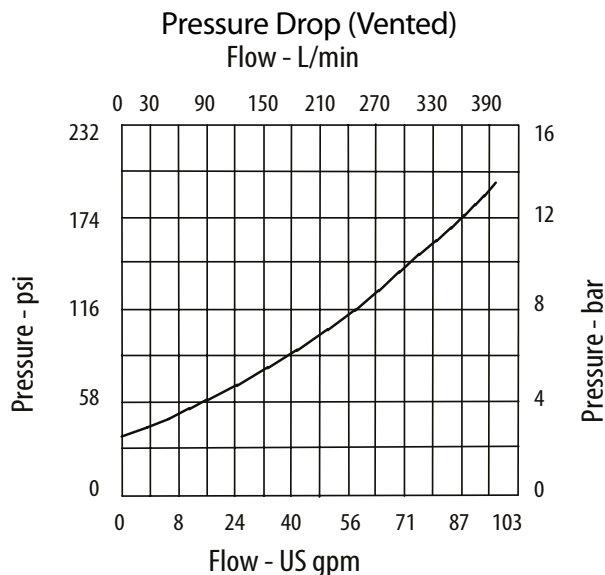
PERFORMANCE DATA

Rated pressure	250 bar [3600 psi]
Rated flow	400 l/min [106 US gpm]
Max port 3 pressure	210 bar [3000 psi]
Pilot Valve Cavity	SDC08-2
Leakage	350 ml/min nominal
Weight	0.70 kg [1.54 lb]
Cavity	A21773

DIMENSIONS



PERFORMANCE CURVES



MODEL CODE

LEV452 - N - 0.2 - 1DR2-P-40S - 10W - 377

<p>Basic Code</p> <p>LEV402 - No housing LEV452 - Cartridge and housing</p> <p>Seal Option</p> <table border="1"> <thead> <tr> <th>Code</th> <th>Seal Kit</th> </tr> </thead> <tbody> <tr> <td>N - Buna-N</td> <td>SK1232</td> </tr> <tr> <td>V - Viton</td> <td>SK1232V</td> </tr> </tbody> </table> <p>Spring Bias</p> <p>0.2 - 2 bar [29 psi]</p> <p>Pilot cartridge</p> <p>Omit - None 1DR2-P-40S PDR21AN*6** S207N</p>	Code	Seal Kit	N - Buna-N	SK1232	V - Viton	SK1232V	<p>Housing Material</p> <p>Omit - Aluminum/No housing 377 - Steel</p> <p>Housing</p> <table border="1"> <thead> <tr> <th>Code</th> <th>Ports</th> <th>Aluminum</th> <th>Steel</th> </tr> </thead> <tbody> <tr> <td>Omit</td> <td>No housing</td> <td></td> <td></td> </tr> <tr> <td>10W</td> <td>1-1/4" BSP, 1/4" BSP vent</td> <td>C24005</td> <td>C24006</td> </tr> <tr> <td>12W</td> <td>1-1/2" BSP, 1/4" BSP vent</td> <td>C24007</td> <td>C24008</td> </tr> <tr> <td>20T</td> <td>1-1/4" SAE, 1/4" SAE vent</td> <td>C24011</td> <td>C24012</td> </tr> <tr> <td>24T</td> <td>1-1/2" SAE, 1/4" SAE vent</td> <td>C24013</td> <td>C24014</td> </tr> </tbody> </table> <p><small>* Aluminum bodies are to be used for pressures less than 210 bar [3000 psi]. * Additional housings available</small></p>	Code	Ports	Aluminum	Steel	Omit	No housing			10W	1-1/4" BSP, 1/4" BSP vent	C24005	C24006	12W	1-1/2" BSP, 1/4" BSP vent	C24007	C24008	20T	1-1/4" SAE, 1/4" SAE vent	C24011	C24012	24T	1-1/2" SAE, 1/4" SAE vent	C24013	C24014
Code	Seal Kit																														
N - Buna-N	SK1232																														
V - Viton	SK1232V																														
Code	Ports	Aluminum	Steel																												
Omit	No housing																														
10W	1-1/4" BSP, 1/4" BSP vent	C24005	C24006																												
12W	1-1/2" BSP, 1/4" BSP vent	C24007	C24008																												
20T	1-1/4" SAE, 1/4" SAE vent	C24011	C24012																												
24T	1-1/2" SAE, 1/4" SAE vent	C24013	C24014																												