

# Logic Elements

## PCS13-10

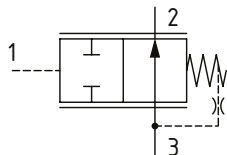
Pressure Compensator, Restrictive Type

350 bar [5000 psi] • 38 l/min [10 US gpm]

### DESCRIPTION AND OPERATION

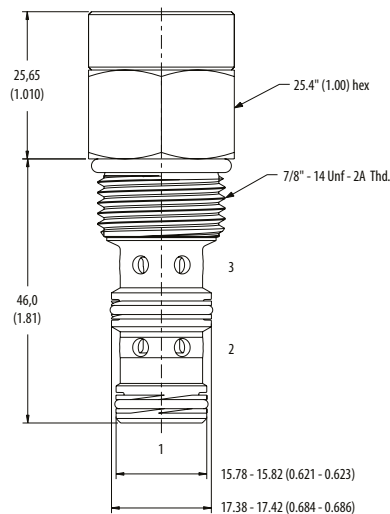
This is a 3-ported spool valve, where port 3 is connected to port 2 and port 1 is the pilot port. The spring chamber is connected to port 3 through an orifice. When port 3 is connected to the outlet of a control orifice and port 1 is connected upstream of the orifice, the valve functions as a restrictive pressure compensator. When the pressure drop across the orifice is equal to the spring set pressure, the spool restricts flow from port 3 to port 2 and compensates for any change in pressure difference across the valve.

### SCHEMATIC



### DIMENSIONS

mm [in]



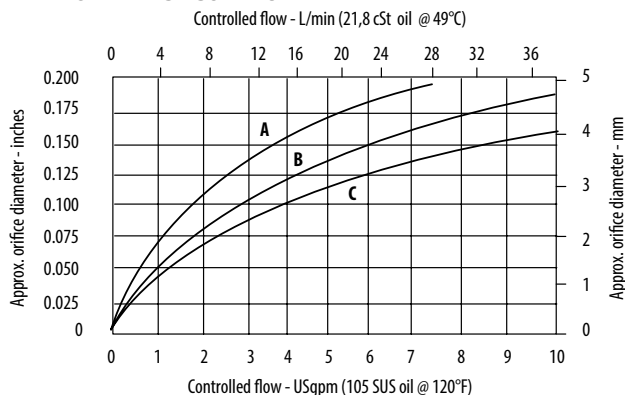
#### Installation torque

A-47-54 Nm [35-40 ft. lbs]  
S-68-75 Nm [50-55 ft. lbs]

### PERFORMANCE DATA

Rated pressure	350 bar [5000 psi]
Rated flow	38 l/min [10 US gpm]
Weight	0.12 kg [0.26 lb]
Cavity	SDC10-3

### PERFORMANCE CURVES



A-2.8 bar [40 psi] • B-5.5 bar [80 psi] • C-11.0 bar [160 psi]

### MODEL CODE

PCS13 - 10 - V - A - 0 - S - 40

#### Seal Option

Code	Seal kit
Omit-Buna - N	889624
V-Viton	889628

#### Housing Material

Omit-No housing  
A-Aluminum  
S-Steel

#### Housing

Code	Ports	Aluminum Heavy duty	Steel
0	No housing		
2G	1/4" BSP	876705	02-175127
3G	3/8" BSP	876714	02-175128
6H	#6 SAE	876704	
8H	#8 SAE	876711	
6T	#6 SAE		02-175124
8T	#8 SAE		02-175125

\* Aluminum bodies are to be used for pressures less than 210 bar [3000 psi].

\* Additional housings available

#### Differential Pressure

Code	Bar	Psi
40	2.8	[40]
80	5.5	[80]
160	11.0	[160]

#### Spool Seal Option

Omit - No seal  
S - Seal included