

Logic Elements

CP701-2

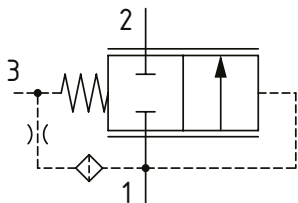
Logic Element, Normally Closed, Spool Type, Vent to Open

350 bar [5000 psi] • 150 l/min [40 US gpm]

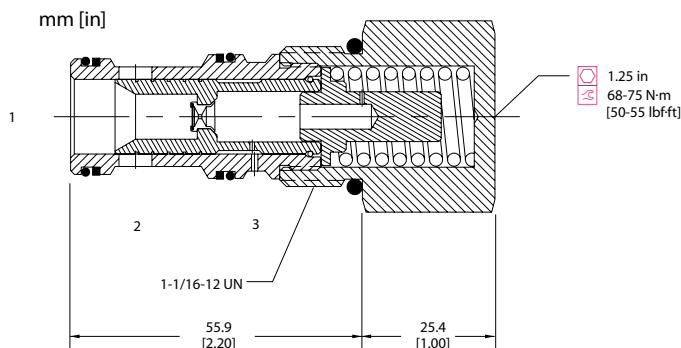
DESCRIPTION AND OPERATION

This is a 3-ported, normally closed, vent to open spool type logic element. Port 1 is connected to port 3 through an orifice. By opening port 3 to tank, flow can pass from port 1 to port 2 but not from port 2 to port 1. Closing port 3 will prevent the valve from opening from port 1 to port 2. By controlling the flow or pressure out of port 3 with a secondary valve, the valve can be used as an on/off valve or in a pressure control function.

SCHEMATIC



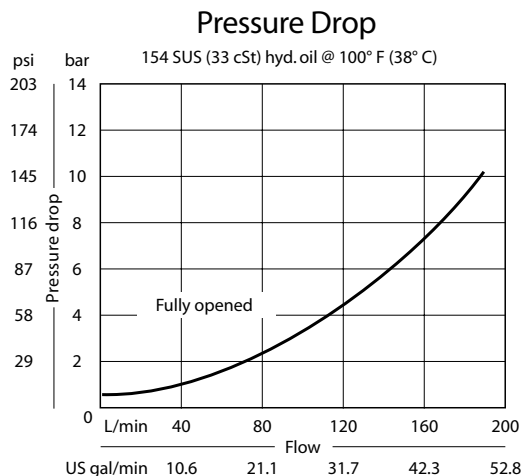
DIMENSIONS



PERFORMANCE DATA

Rated pressure	350 bar [5000 psi]
Rated flow	150 l/min [40 US gpm]
Weight	0.26 kg [0.57 lb]
Cavity	CP12-3S

PERFORMANCE CURVES



MODEL CODE

CP701 - 2 - B - 12S - 080

Seal Option

Code	Seal kit
B-Buna - N	120335
V-Viton	120336

Housing

Code	Ports & Material	Housing Model Code	Pilot port
0	No Housing		
4B	AL, 1/2 BSP	CP12-3S-4B/2B	1/4 BSP
6B	AL, 3/4 BSP	CP12-3S-6B/2B	1/4 BSP
10S	AL, #10 SAE	CP12-3S-10S/4S	#4 SAE
12S	AL, #12 SAE	CP12-3S-12S/4S	#4 SAE

* Aluminum bodies are to be used for pressures less than 210 bar [3000 psi].
* Additional housings available

Differential Pressure

Code	Bar	Psi
030	2.1	[30]
050	3.5	[50]
080	5.5	[80]
100	6.9	[100]
150	10.3	[150]