

# Logic Elements

## CP701-3

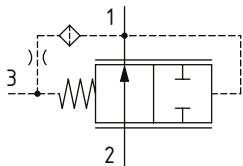
Logic Element, Normally Open, Spool Type, Vent to Close

350 bar [5000 psi] • 80 l/min [21 US gpm]

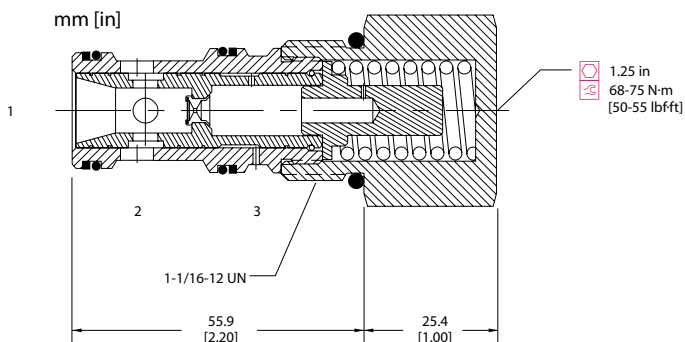
### DESCRIPTION AND OPERATION

This is a 3-ported, normally open, vent to close, spool type logic element. Port 1 is connected to port 3 through an orifice. By opening port 3 to tank, flow is blocked from port 1 to port 2 and port 2 to port 1. Closing port 3 will keep the valve open from port 1 to port 2 and port 2 to 1. By controlling the flow or pressure out of port 3 with a secondary valve, this can be used as an on/off valve or as a pressure reducing valve.

### SCHEMATIC



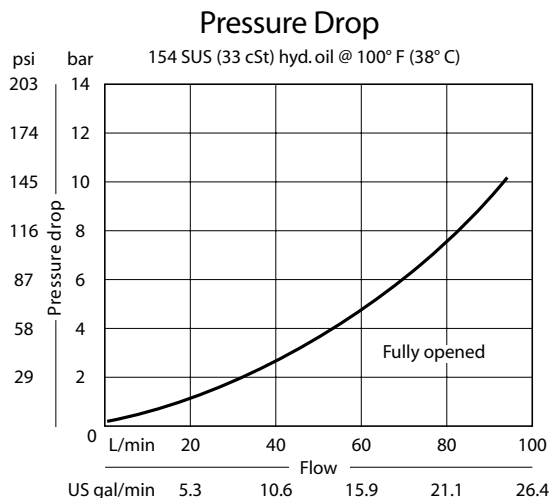
### DIMENSIONS



### PERFORMANCE DATA

Rated pressure	350 bar [5000 psi]
Rated flow	80 l/min [21 US gpm]
Weight	0.26 kg [0.57 lb]
Cavity	CP12-3S

### PERFORMANCE CURVES



### MODEL CODE

CP701 - 3 - B - 12S - 080

#### Seal Option

Code	Seal kit
B-Buna - N	120335
V-Viton	120336

#### Housing

Code	Ports & Material	Housing Model Code	Pilot port
0	No Housing		
4B	AL, 1/2 BSP	CP12-3S-4B/2B	1/4 BSP
6B	AL, 3/4 BSP	CP12-3S-6B/2B	1/4 BSP
10S	AL, #10 SAE	CP12-3S-10S/4S	#4 SAE
12S	AL, #12 SAE	CP12-3S-12S/4S	#4 SAE

#### Differential Pressure

Code	Bar	Psi
030	2.1	[30]
050	3.5	[50]
080	5.5	[80]
100	6.9	[100]
150	10.3	[150]

\* Aluminum bodies are to be used for pressures less than 210 bar [3000 psi].

\* Additional housings available