

# Logic Elements

## CP701-4

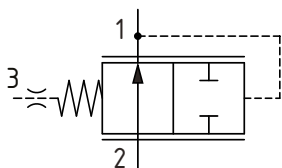
Logic Element, Normally Open, Spool Type, Pilot to Open

350 bar [5000 psi] • 76 l/min [20 US gpm]

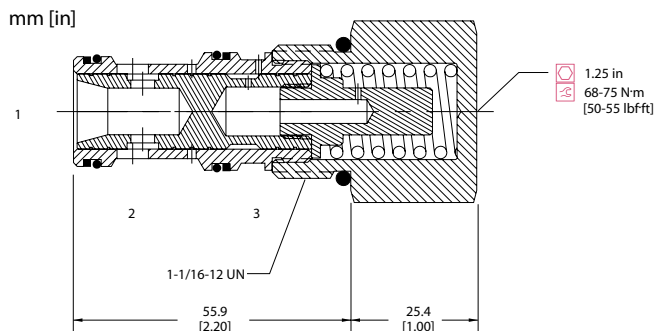
### DESCRIPTION AND OPERATION

This is a 3-ported, normally open, pilot to open, spool type logic element. Flow is open from port 2 to port 1, until pressure in port 1 is sufficient to overcome the spring set pressure plus any pressure in port 3. The pressure in port 3 can be controlled remotely making the valve ideal for use as a normally open on/off element in a pressure reducing function. This valve is most commonly used as a pressure compensator in conjunction with a proportional directional valve.

### SCHEMATIC



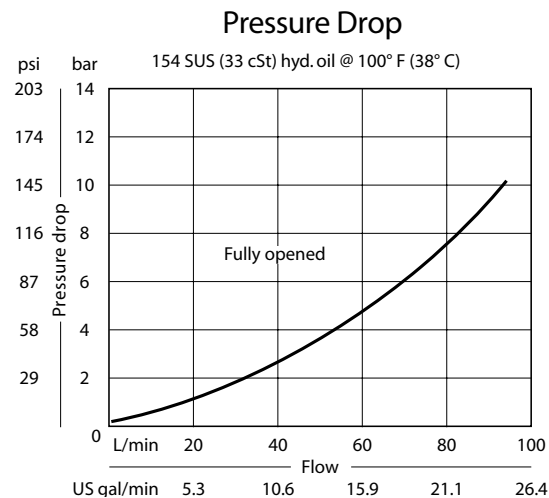
### DIMENSIONS



### PERFORMANCE DATA

Rated pressure	350 bar [5000 psi]
Rated flow @ 7 bar [100 psi]	76 l/min [20 US gpm]
Weight	0.26 kg [0.57 lb]
Cavity	CP12-3S

### PERFORMANCE CURVES



### MODEL CODE

**CP701 - 4 - B - 12S - 080**

#### Seal Option

Code	Seal kit
B-Buna - N	120335
V-Viton	120336

#### Housing

Code	Ports & Material	Housing Model Code	Pilot port
0	No Housing		
4B	AL, 1/2 BSP	CP12-3S-4B/2B	1/4 BSP
6B	AL, 3/4 BSP	CP12-3S-6B/2B	1/4 BSP
10S	AL, #10 SAE	CP12-3S-10S/4S	#4 SAE
12S	AL, #12 SAE	CP12-3S-12S/4S	#4 SAE

\* Aluminum bodies are to be used for pressures less than 210 bar [3000 psi].

\* Additional housings available

#### Differential Pressure

Code	Bar	Psi
030	2.1	[30]
050	3.5	[50]
080	5.5	[80]
100	6.9	[100]
150	10.3	[150]