

Logic Elements

HLE10-OVC

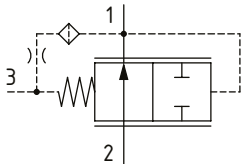
Logic Element, Normally Open, Spool Type, Vent to Close

350 bar [5000 psi] • 60 l/min [16 US gpm]

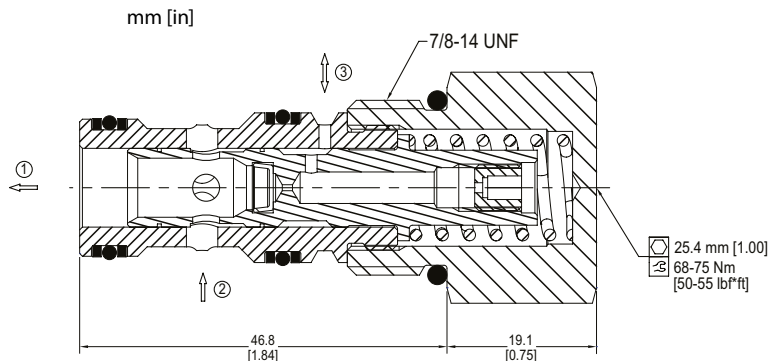
DESCRIPTION AND OPERATION

This is a 3-ported, normally open, vent to close, spool type logic element. Port 1 is connected to port 3 through an orifice. By opening port 3 to tank, flow is blocked from port 1 to port 2 and port 2 to port 1. Closing port 3 will keep the valve open from port 1 to port 2 and port 2 to 1. By controlling the flow or pressure out of port 3 with a secondary valve, this can be used as an on/off valve or as a pressure reducing valve.

SCHEMATIC



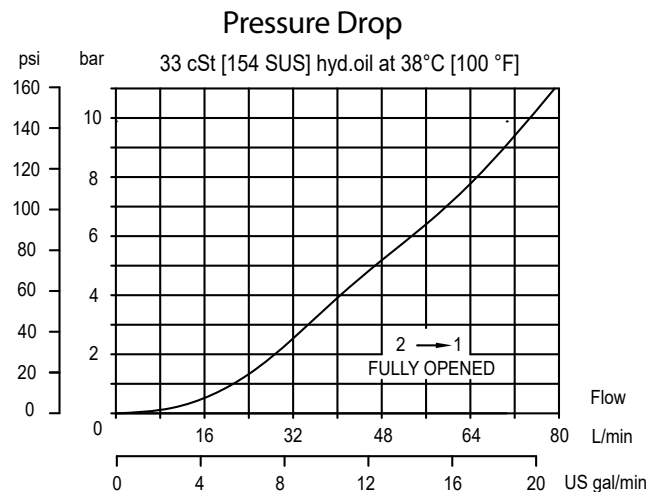
DIMENSIONS



PERFORMANCE DATA

Rated pressure	350 bar [5000 psi]
Rated flow @ 7 bar [100 psi]	60 l/min [16 US gpm]
Weight	0.14 kg [0.31 lb]
Cavity	SDC10-3S

PERFORMANCE CURVES



MODEL CODE

HLE10 - OVC - 2.75 - B - 00

Differential Pressure

Code	Bar	Psi
2.75	2.75	[40]
5.5	5.5	[80]
7.5	7.5	[110]
10.0	10.0	[150]
14.0	14.0	[200]
19.0	19.0	[275]

Seal Option

Code	Seal kit
B-Buna - N	11126248
V-Viton	11126249

Housing

Code	Ports & Material	Housing Model Code
00	No housing	
6S	AL, #6 SAE	SDC10-3S-6S
8S	AL, #8 SAE	SDC10-3S-8S
3B	AL, 3/8 BSP	SDC10-3S-3B
4B	AL, 1/2 BSP	SDC10-3S-4B
S6S	STEEL, #6 SAE	SDC10-3S-S6S
S8S	STEEL, #8 SAE	SDC10-3S-S8S

* Aluminum bodies are to be used for pressures less than 210 bar [3000 psi].
* Additional housings available