

# Logic Elements

## VLP 12/P2

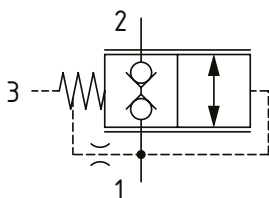
Logic Element Poppet, Double Blocking Closed, Vent to Open

315 bar [4600 psi] • 160 l/min [42 US gpm]

### DESCRIPTION AND OPERATION

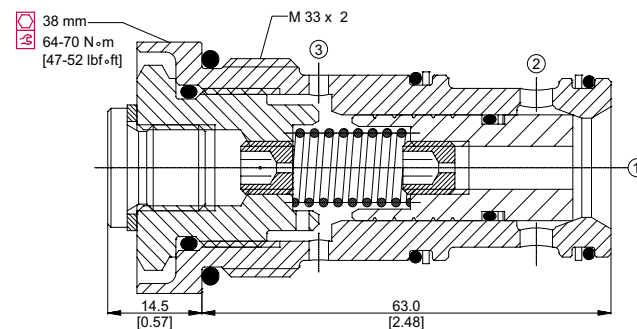
This is a 3-ported, normally closed, double blocking poppet type logic element, with port 1 connected to port 3 through an orifice. By opening port 3 to tank, flow can pass from port 1 to port 2 but not from port 2 to port 1. Closing port 3 will prevent the valve from opening from port 1 to port 2. The area ratio between port 1 and 3 is 1 to 1 and port 2 is balanced between the seat diameter and the seal poppet diameter. By controlling the flow or pressure out of port 3 the valve can be used as an on/ off valve or in a pressure control function.

### SCHEMATIC



### DIMENSIONS

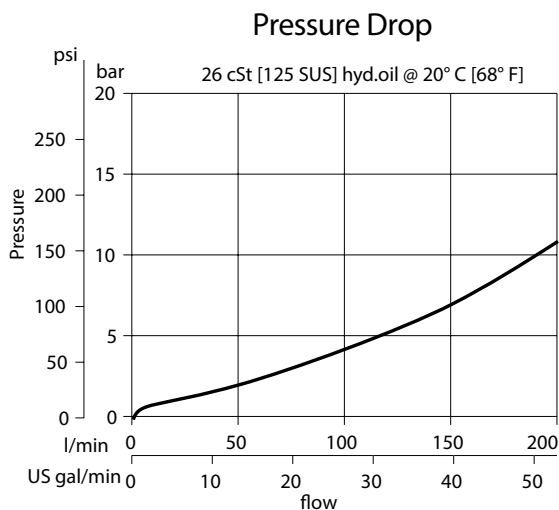
mm [in]



### PERFORMANCE DATA

Rated pressure	315 bar [4600 psi]
Rated flow	160 l/min [42 US gpm]
Differential Pressure	2 bar [29 psi]
Weight	0.30 kg [0.66 lb]
Cavity	NCS12/3

### PERFORMANCE CURVES



### MODEL CODE

**VLP 12/P2 - B - SE8S - V**

#### Housing

Code	Ports & Material	Housing Model Code
0	No Housing	
SE1/2	AL, 1/2 BSP	NCS12/3-SE-1/2
SE3/4	AL, 3/4 BSP	NCS12/3-SE-3/4
SE8S	AL, #8 SAE	NCS12/3-SE-8S
SE12S	AL, #12 SAE	NCS12/3-SE-12S

\* Aluminum bodies are to be used for pressures less than 210 bar [3000 psi].  
\* Additional housings available

#### Seal Option

Code	Seal kit
Omit-Buna - N	230000130
V-Viton	230000360