

Motion Control Valves

1CEH30

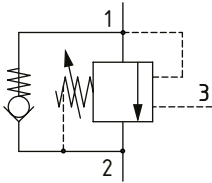
Overcenter Valve, Standard, Direct Acting, Internal Drain, Port 3 Pilot

430 bar [6200 psi] • 30 l/min [8 US gpm]

DESCRIPTION AND OPERATION

This is a direct acting overcenter valve, which is a pilot assisted relief with a free flow check. With the relief valve set at approximately 1.3 times the maximum load induced pressure, the valve will prevent flow from port 1 to 2. When pilot pressure is applied to port 3, the valve will meter the flow from port 1 to 2, compensating for any change in pilot pressure due to over-running or unstable loads. Free flow takes place from port 2 to port 1 through the check portion of the valve. These valves are ideal in most applications bringing stability, load holding, and hose failure protection when the valve is mounted onto or into the actuator. The spring chamber is connected to the valve port 2, so any back pressure will increase the pilot pressure required to keep the valve open and the pressure at which the valve will open as a relief valve. This is also available in a dual housing for bi-directional control.

SCHEMATIC

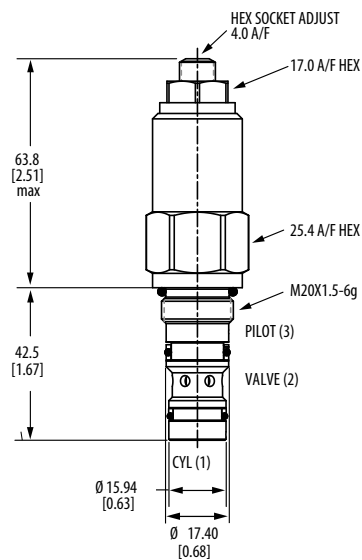


PERFORMANCE DATA

Rated pressure	430 bar [6200 psi]
Rated flow	30 l/min [8 US gpm]
Max total relief pressure	430 bar [6200 psi]
Max recommended load pressure at max setting	350 bar [5000 psi]
Pilot Ratio	3:1, 5:1
Leakage	5 drops/min at 85% of Crack Pressure
Weight	0.25 kg [0.55 lbs]
Cavity	A6610

DIMENSIONS

mm [in]



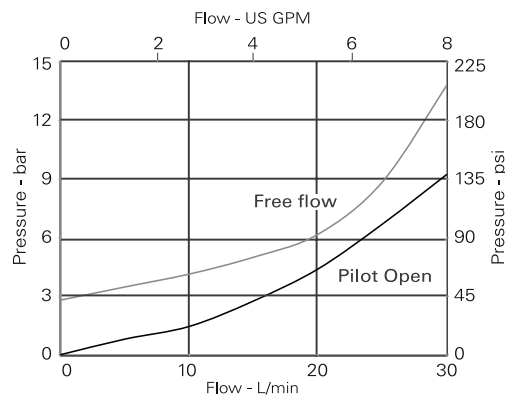
Turn CW to increase pressure setting and CCW to decrease pressure setting.

Torque lock nut to 20-25 Nm [15-18 ft lbs]

Installation torque
68-75 Nm [50-56 ft. lbs]

PERFORMANCE CURVES

Pressure Drop



3:1 and 5:1 version

Motion Control Valves

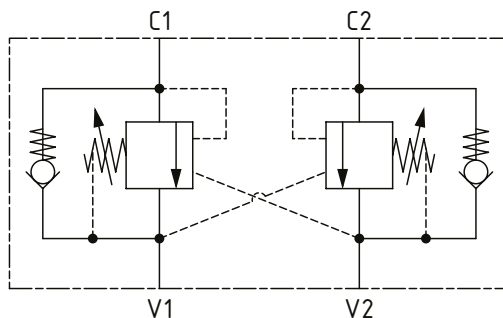
1CEH30

Overcenter Valve, Standard, Direct Acting, Internal Drain, Port 3 Pilot

430 bar [6200 psi] • 30 l/min [8 US gpm]

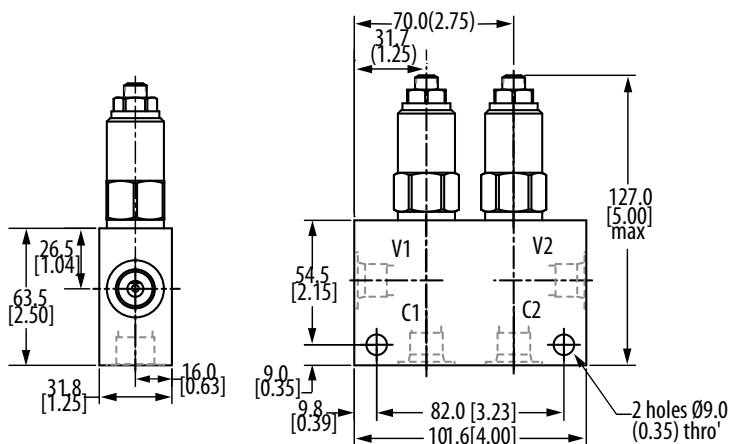
SCHEMATIC

1CEEH34 (dual)



DIMENSIONS

mm [in]



MODEL CODE

1CEH35 - F - 3W - 43 - S - 3 - 377 - 350

Basic Code

1CEH30 - No housing
1CEH35 - Cartridge and housing
1CEEH34 - Cartridges in dual housing

Adjustment Option

F - External

Housing

Code	Ports	Steel single	Steel dual
Omit	No housing		
3W	3/8" BSPP	B12823	B13803
8T	1/2" SAE	B11811	B11812

* Aluminum bodies are to be used for pressures less than 210 bar [3000 psi].

* Additional housings available

Pressure Range

Code	Bar	Psi
43	250-430	[3600-6200]
Standard setting	350	[5000]

Std. setting made at 4.5 l/min

Pressure Setting

Code Pressure setting in bar (10 bar increments within specified Pressure Range)
XXX-Standard setting (see Pressure Range for value)
Example:

Code	Bar	Psi
350	350	[5000]

Housing Material

Omit - No housing
377 - Steel

Pilot Ratio

3 - 3:1
5 - 5:1

Seal Option

Code	Seal kit
S-Buna - N	9900925-000
SV-Viton	9900926-000