

# Motion Control Valves

## 1CERH30

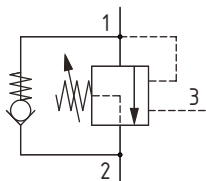
Overcenter Valve, Part Balanced, Direct Acting, Internal Drain, Port 3 Pilot

430 bar [6200 psi] • 30 l/min [8 US gpm]

### DESCRIPTION AND OPERATION

This is a direct acting overcenter valve, which is a pilot assisted relief with a free flow check. With the relief valve set at around 1.3 times the maximum load induced pressure, the valve will prevent flow from taking place between ports 1 and 2. When pilot pressure is applied to port 3, the valve will meter the flow from port 1 to 2 compensating for any change in pilot pressure due to over-running or unstable loads. Free flow from port 2 to port 1 can take place freely through the check portion of the valve. These valves are ideal in most applications bringing stability, load holding, and hose failure protection when the valve is mounted onto or into the actuator. The spring chamber is connected to the valve port 2 so any back pressure will increase the pilot pressure required to keep the valve open. However, the balanced poppet design allows the relief valve to remain open provided the inlet pressure is higher than the setting. This is also available in a dual housing for bi-directional control.

### SCHEMATIC

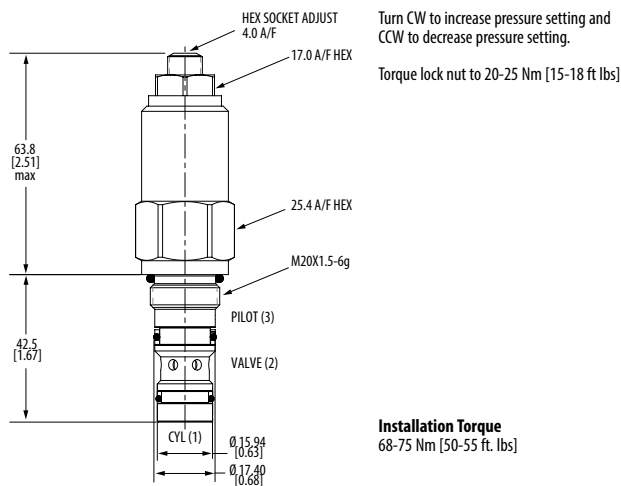


### PERFORMANCE DATA

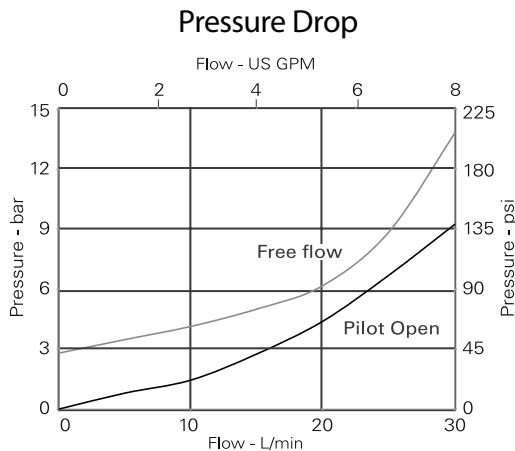
<b>Rated pressure</b>	<b>430 bar [6200 psi]</b>
<b>Rated flow</b>	<b>30 l/min [8 US gpm]</b>
Max total relief pressure	430 bar [6200 psi]
Max recommended load pressure at max setting	350 bar [5000 psi]
Pilot Ratio	3:1, 5:1
Leakage	5 drops/min @ 85% of Cracking
Weight	0.2 kg [0.55 lb]
Cavity	A6610

### DIMENSIONS

mm [in]



### PERFORMANCE CURVES



# Motion Control Valves

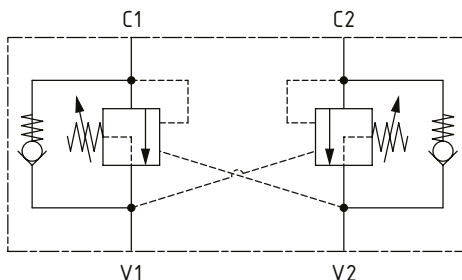
## 1CERH30

Overcenter Valve, Part Balanced, Direct Acting, Internal Drain, Port 3 Pilot

430 bar [6200 psi] • 30 l/min [8 US gpm]

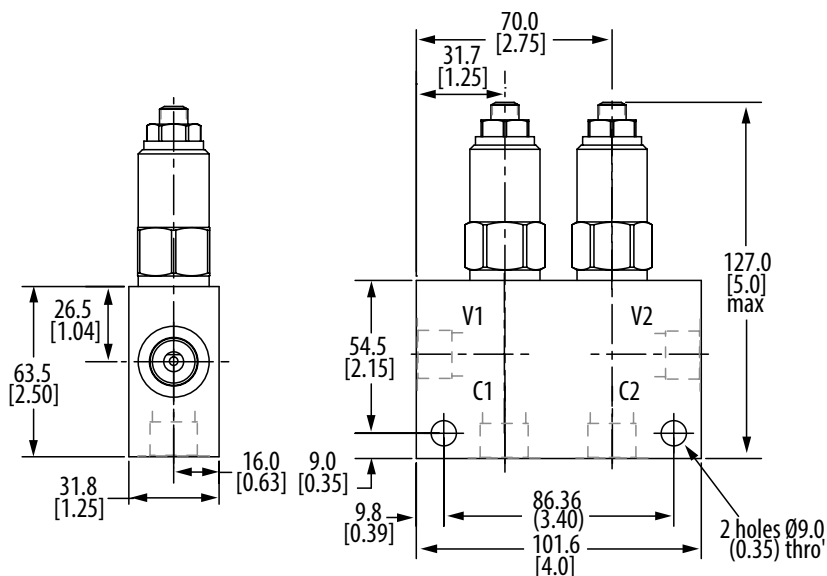
### ■ SCHEMATIC

1CEERH34 (dual)



### ■ DIMENSIONS

mm [in]



### ■ MODEL CODE

**1CERH35 - F - 3W - 43 - S - 3 - 377 - 350**

#### Basic Code

1CERH30 - No housing  
1CERH35 - Cartridge and housing  
1CEERH34 - Cartridges and dual housing

#### Adjustment Option

F - External

#### Housing

Code	Ports	Steel single	Steel dual
Omit	No housing		
3W	3/8" BSP Valve & Cyl Port 1/4" BSP Pilot Port	B12823	B13803
8T	1/2" SAE Valve & Cyl Port 1/4" SAE Pilot Port	B11811	B11812

#### Pressure Setting

Code Pressure setting in bar (10 bar increments within specified Pressure Range)  
XXX - Standard setting (see Pressure Range for value)  
Example:

Code	Bar	Psi
350	350	[5000]

#### Housing Material

Omit - No Housing  
377 - Steel

#### Pilot Ratio

3 - 3:1  
5 - 5:1

#### Seal Option

Code	Seal kit
S - Buna-N	9900925-000
SV - Viton	9900926-000

#### Pressure Range

Code	Bar	Psi
43	250-430	[3600-6200]
Standard Setting	350	[5000]

Std. setting made at 4.5 l/min