

Motion Control Valves

1CERH90

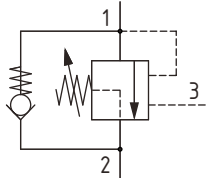
Overcenter Valve, Part Balanced, Direct Acting, Internal Drain, Port 3 Pilot

430 bar [6200 psi] • 90 l/min [24 US gpm]

DESCRIPTION AND OPERATION

This is a direct acting overcenter valve, which is a pilot assisted relief with a free flow check. With the relief valve set at around 1.3 times the maximum load induced pressure, the valve will prevent flow from taking place between ports 1 and 2. When pilot pressure is applied to port 3, the valve will meter the flow from port 1 to 2 compensating for any change in pilot pressure due to over-running or unstable loads. Free flow from port 2 to port 1 can take place freely through the check portion of the valve. These valves are ideal in most applications bringing stability, load holding, and hose failure protection when the valve is mounted onto or into the actuator. The spring chamber is connected to the valve port 2 so any back pressure will increase the pilot pressure required to keep the valve open. However, the balanced poppet design allows the relief valve to remain open provided the inlet pressure is higher than the setting. This is also available in a dual housing for bi-directional control.

SCHEMATIC

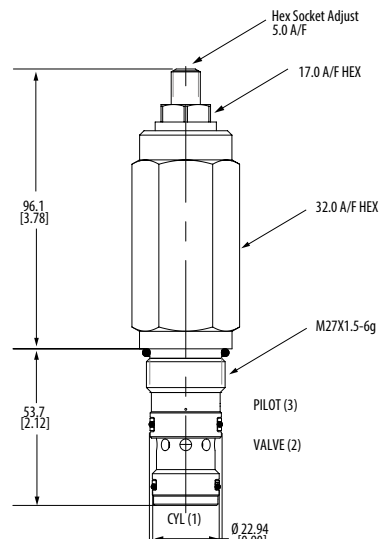


PERFORMANCE DATA

Rated pressure	430 bar [6200 psi]
Rated flow	90 l/min [24 US gpm]
Max total relief pressure	430 bar [6200 psi]
Max recommended load pressure at max setting	350 bar [5000 psi]
Pilot Ratio	4:1
Leakage	5 drops/min @ 85% of Cracking
Weight	0.6 kg [1.32 lb]
Cavity	A12336

DIMENSIONS

mm [in]



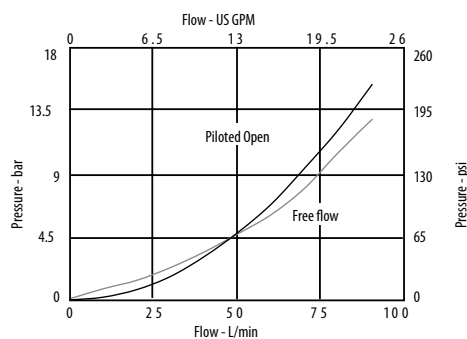
Turn CW to increase pressure setting and CCW to decrease pressure setting

Torque lock nut to 20-25 Nm [15-18 ft lbs]

Installation Torque
100-110 Nm [73-81 ft. lbs]

PERFORMANCE CURVES

Pressure Drop



Motion Control Valves

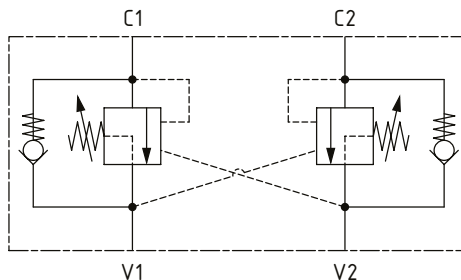
1CERH90

Overcenter Valve, Part Balanced, Direct Acting, Internal Drain, Port 3 Pilot

430 bar [6200 psi] • 90 l/min [24 US gpm]

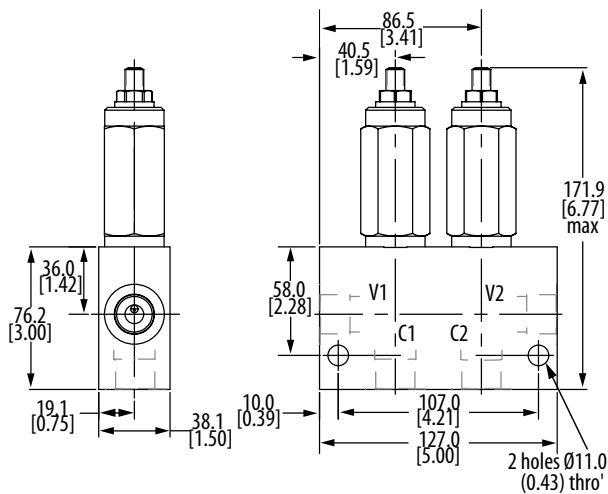
■ SCHEMATIC

1CEERH95 (dual)



■ DIMENSIONS

mm [in]



■ MODEL CODE

1CERH95 - F - 4W - 43 - S - 4 - 377 - 350

Basic Code

1CERH90 - No housing
1CERH95 - Cartridge and housing
1CEERH95 - Cartridges and dual housing

Adjustment Option

F - External

Housing

Code	Ports	Steel single	Steel dual
Omit	No housing		
4W	1/2" BSP Valve & Cyl Port 1/4" BSP Pilot Port	B13626	C13628
8T	1/2" SAE Valve & Cyl Port 1/4" SAE Pilot Port	B10922	C11561

* Aluminum bodies are to be used for pressures less than 210 bar [3000 psi].

Pressure Setting

Code Pressure setting in bar (10 bar increments within specified Pressure Range)
XXX-Standard setting (see Pressure Range for value)
Example:

Code	Bar	Psi
350	350	[5000]

Housing Material

Omit - No housing
377 - Steel

Pilot Ratio

4 - 4:1

Seal Option

Code	Seal kit
S-Buna-N	9900927-000
SV-Viton	9900928-000

Pressure Range

Code	Bar	Psi
43	275-430	[4000-6200]
Standard Setting	350	[5000]

Std. setting at 4.5 l/min