

Pressure Reducing Valves

1PA100

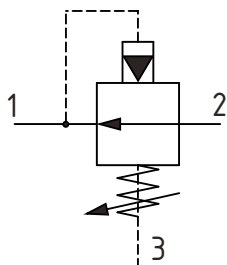
Pressure Reducing Valve, Non-Relieving, Pilot Operated

350 bar [5000 psi] • 100 l/min [26 US gpm]

DESCRIPTION AND OPERATION

This is a normally open, pilot operated pressure reducing valve. Port 2 is open to port 1 until the setting is reached at which time the valve throttles the outlet flow limiting the pressure. Port 3 is a drain port only, as the valve does not contain a relief function. This valve, is ideal for stable and precise control of a secondary pressure within a circuit.

SCHEMATIC



PERFORMANCE DATA

Rated pressure	350 bar [5000 psi]
Rated flow	100 l/min [26 US gpm]
Weight	0.17 kg [0.37 lbs]
Cavity	A880

MODEL CODE

1PA100 - P - 4W - 35 - S - 377 - 60

Basic Code

1PA100- No housing
1PA150- Cartridge and housing

Adjustment Option

P - External
R - Knob
G - Tamper Resistant

Housing

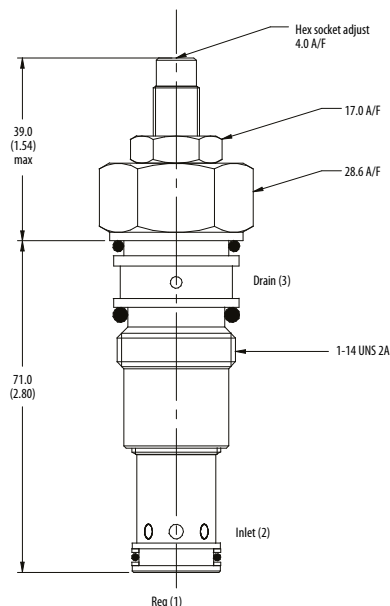
Code	Port Size	Housing Model Code	
		Aluminum single	Steel single
Omit	No Housing		
4W	1/2" BSP, 1/4" BSP Drain Port	B4821	B4527
6W	3/4" BSP, 1/4" BSP Drain Port	B5466	B4403
8T	1/2" SAE, 1/4" SAE Drain Port	B6584	
12T	3/4" SAE, 1/4" SAE Drain Port	B7883	B11379

* Aluminum bodies are to be used for pressures less than 210 bar [3000 psi].

* Additional housings available

DIMENSIONS

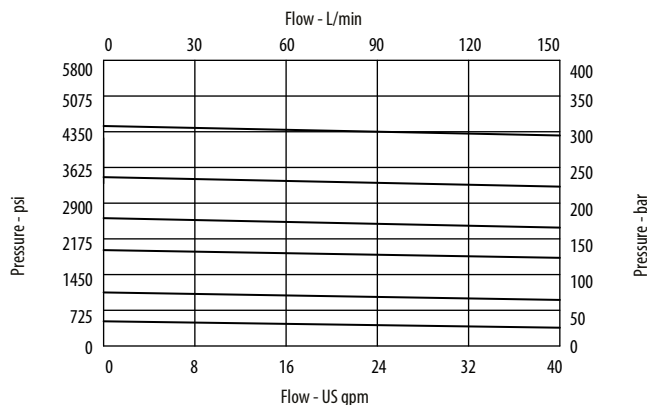
mm [in]



Installation torque
60 Nm [44 ft. lbs]

PERFORMANCE CURVES

Pressure Override



Pressure Setting		
Code	Bar	Psi
60	60	[870]

Pressure Range		
Code	Bar	Psi
7	10-70	[145-1015]
Standard Setting	20	[290]
20	15-210	[220-3000]
Standard Setting	100	[1450]
35	30-350	[435-5000]
Standard Setting	280	[4060]

Pressure setting made at zero flow (dead head)