

Pressure Reducing Valves

PRV12-10

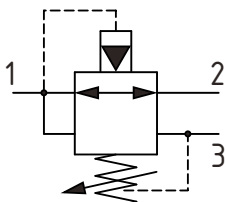
Pressure Reducing Valve, Relieving, Pilot Operated

350 bar [5000 psi] • 45 l/min [12 US gpm]

DESCRIPTION AND OPERATION

This is a normally open, pilot operated pressure reducing valve. Port 2 is open to port 1 until the setting is reached, at which time the valve throttles the outlet flow limiting the pressure. If the outlet pressure rises due to an external force, then the valve will open port 1 to port 3 acting as a relief valve. This valve is ideal for stable and precise control of a secondary pressure within a circuit.

SCHEMATIC



PERFORMANCE DATA

Rated pressure	350 bar [5000 psi]
Rated flow	45 l/min [12 US gpm]
Weight	0.24 kg [0.54 lbs]
Cavity	SDC10-3

MODEL CODE

PRV12 - 10 - V - C - S - 2G - 15 - 10

Seal Option

Code	Seal Kit
Omit-Buna-N	565804
V-Viton	889599

Adjustment Option

C - Tamper Resistant
 F - Fixed
 I - Internal
 K - Knob
 S - External

Housing Material

Omit - Aluminum/No housing
 S - Steel

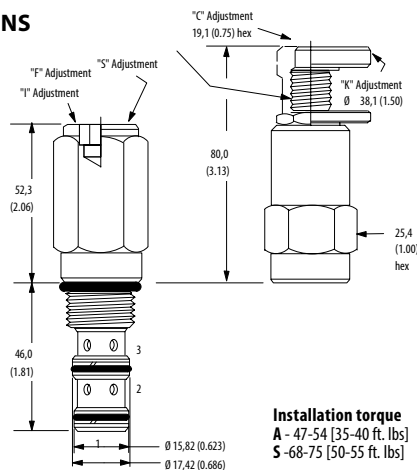
Housing

Code	Ports	Housing Model Code		
		Aluminum standard duty	Aluminum heavy duty	Steel heavy duty
0	No Housing			
3B	3/8" BSP	02-173358	-	-
2G	1/4" BSP	-	876705	02-175127
3G	3/8" BSP	-	876714	02-175128
6H	#6 SAE	-	876704	-
8H	#8 SAE	-	876711	-
6T	#6 SAE	566162	-	02-175124
8T	#8 SAE	-	-	02-175125

* Aluminum bodies are to be used for pressures less than 210 bar [3000 psi].
 * Additional housings available

DIMENSIONS

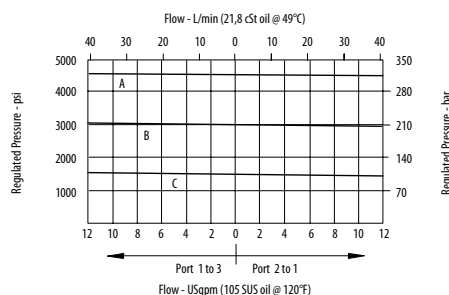
mm [in]



Installation torque
A - 47-54 [35-40 ft. lbs]
S - 68-75 [50-55 ft. lbs]

PERFORMANCE CURVES

Pressure Override



A - 50 spring • **B** - 30 spring • **C** - 15 spring

Pressure Setting

Code x100 - Pressure setting in psi
 (50 psi increments within specified Pressure Setting)
 XXX - Standard setting (see Pressure Setting for value)
 Example:

Code	Bar	Psi
10	69	[1000]

Pressure Range

Code	Bar	Psi
15	8.5-103	[125-1500]
Standard Setting	52	[750]
30	17-210	[250-3000]
Standard Setting	103	[1500]
50	38-350	[550-5000]
Standard Setting	172	[2500]