

Pressure Reducing Valves

PRR10-PVG

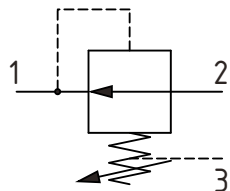
Pressure Reducing Valve, Non-Relieving, Direct Acting

210 bar [3000 psi] • 5 l/min [1.3 US gpm]

DESCRIPTION AND OPERATION

This is a normally open, direct acting pressure reducing valve. Port 2 is open to port 1 until the setting is reached at which time the valve throttles the outlet flow limiting the pressure. Port 3 is a drain port only, as the valve does not contain a relief function. This valve, is ideal for stable and precise control of a secondary pressure within a circuit.

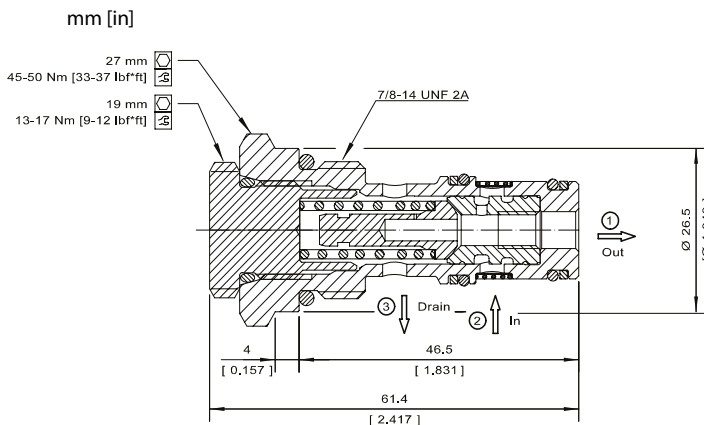
SCHEMATIC



PERFORMANCE DATA

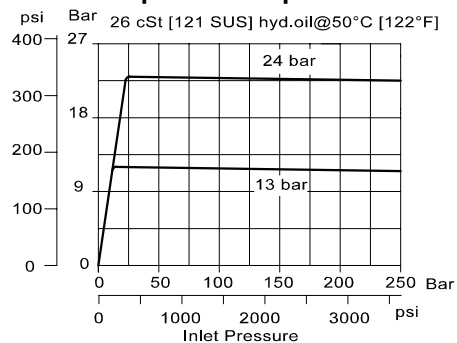
Rated pressure	210 bar [3000 psi]
Rated flow	5 l/min [1.3 US gpm]
Weight	0.23 kg [0.51 lb]
Cavity	SDC10-3

DIMENSIONS

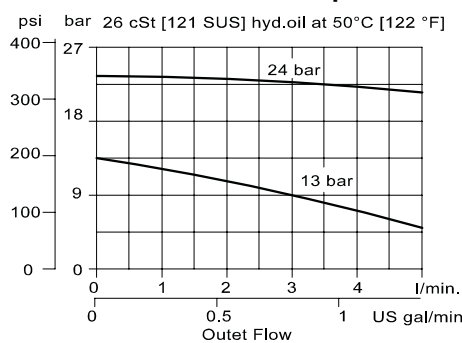


PERFORMANCE CURVES

Pressure Comparison from ports 2-1 at 1 l/min



Reduced Pressure from ports 2-1



MODEL CODE

PRR10 - PVG - E-13 - B - F - 00

Pressure Setting

E-13 - 13 bar for Electrical [PVE]
H-24 - 24 bar for Hydraulic [PVH] or High Current [PVHC]

Seal Option

Code	Seal Kit
B - Buna-N	230000650
V - Viton	354001019

Housing

Code	Ports & Material	Housing Model Code
00	No housing	No Housing
6S	#6 SAE. AL	CP10-3-6S
8S	#8 SAE. AL	CP10-3-8S
SE3B	3/8 BSP. AL	SDC10-3-SE3B
SE4B	1/2 BSP. Steel	SDC10-3-SE4B

* Aluminum bodies are to be used for pressures less than 210 bar [3000 psi].
 * Additional housings available

Filter Option

Omit - Not required
F - 300 µm