

# Relief Valves

## 1DR2

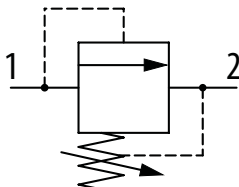
Relief valve, Direct Acting, Poppet Type

400 bar [5800 psi] • 1.2 l/min [0.3 US gpm]

### DESCRIPTION AND OPERATION

This is a direct acting, pilot, poppet type relief valve that relieves from port 1 to 2. It can be used as a thermal relief or in conjunction with other valves as a pilot relief.

### SCHEMATIC



### PERFORMANCE DATA

|                |                                  |
|----------------|----------------------------------|
| Rated pressure | 400 bar [5800 psi]               |
| Rated flow     | 1.2 l/min [0.3 US gpm]           |
| Leakage        | 0.3 ml/min nominal [5 drops/min] |
| Weight         | 0.14 kg [0.30 lb]                |
| Cavity         | SDC08-2                          |

### MODEL CODE

**1DR2 - P - 3W - 40 - S - 377 - 60**

#### Basic Code

1DR2 - No Housing  
1DR22 - Cartridge and housing

#### Adjustment Option

P - External  
R - Knob  
G - Tamper resistant

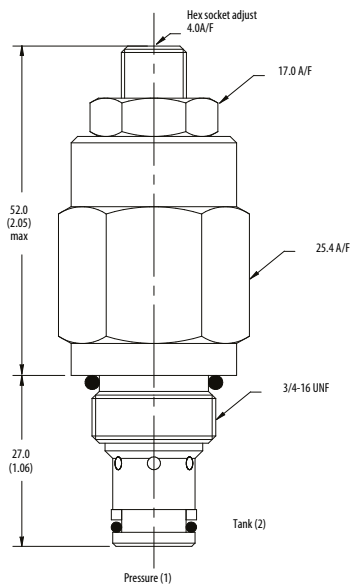
#### Housing

| Code | Ports    | Housing Model Code |        |
|------|----------|--------------------|--------|
|      |          | Aluminum           | Steel  |
| Omit |          | No Housing         |        |
| 2W   | 1/4" BSP | A1485              |        |
| 3W   | 3/8" BSP | A1043              | A14175 |
| 6T   | 3/8" SAE | A15676             | A14843 |

\* Aluminum bodies are to be used for pressures less than 210 bar [3000 psi].  
\* Additional housings available

### DIMENSIONS

mm [in]

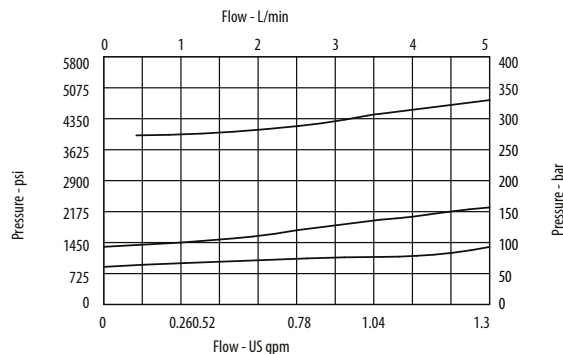


#### Installation torque

A - 47-54 Nm [35-40 ft. lbs]  
S - 68-75 Nm [50-55 ft. lbs]

### PERFORMANCE CURVES

#### Pressure Override



#### Pressure Range

| Code             | Bar    | Psi        |
|------------------|--------|------------|
| 10               | 7-100  | [100-1450] |
| Standard Setting | 70     | [1015]     |
| 20               | 35-210 | [500-3000] |
| Standard Setting | 100    | [1450]     |
| 40               | 50-400 | [725-5800] |
| Standard Setting | 280    | [4060]     |

Pressure setting made at 0.5 l/min