

Relief Valves

1AR100

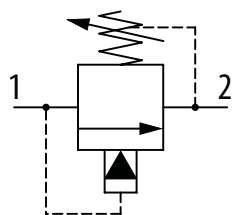
Relief valve, Pilot operated, Spool Type

400 bar [5800 psi] • 150 l/min [40 US gpm]

DESCRIPTION AND OPERATION

This is a pilot operated, spool type relief valve that relieves from port 1 to port 2. It can be used to limit pressure in a system while maintaining accurate pressure control with constant or varying flows.

SCHEMATIC



PERFORMANCE DATA

Rated pressure	400 bar [5800 psi]
Rated flow	150 l/min [40 US gpm]
Leakage	20 to 65 ml/min nominal
Weight	0.14 kg [0.3 lb]
Cavity	A881

MODEL CODE

1AR100 - P - 3W - 7 - S - 377 - 60

Basic Code

1AR100 - No Housing
1AR145 - Cartridge and housing
1AR150/1AR155 - Cartridge and housing Through ported

Housing

Code	Ports	Housing Model Code				
		Aluminum 1AR145	Aluminum 1AR150	Steel 1AR150	Aluminum 1AR155	Steel 1AR155
Omit	No Housing					
3W	3/8" BSP		C1084			
4W	1/2" BSP	B4851	C1044	C593		
6W	3/4" BSP	B3954	C1086	C4917		
8W	1" BSP				B1617	B4596
6T	3/8" SAE		B10784			
8T	1/2" SAE	B19403	C7140			
12T	3/4" SAE	B19404	B10506	B10742		
16T	1" SAE				B1037	B24040

Adjustment Option

P - External
R - Knob
G - Tamper resistant

Housing Material

Omit - Aluminum/No housing
377 - Steel

Seal Option

Code	Seal Kit
S-Nitrile	SK164
SV-Viton	SK164V

Pressure Setting

Code-Pressure setting in bar (5 bar increments within specified Pressure Range)
XXX-Standard setting (see Pressure Range for value)
Example:

Code	Bar	Psi
60	60	[870]

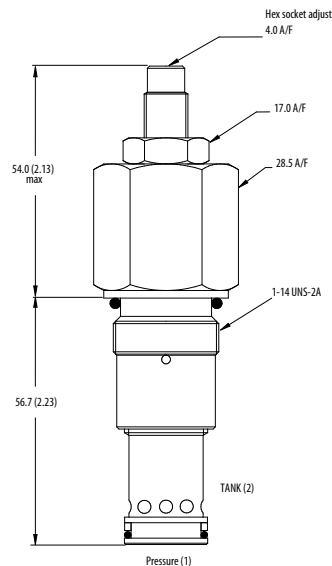
Pressure Range

Code	Bar	Psi
7	10-70	[145-1015]
Standard Setting	35	[510]
20	10-210	[145-3000]
Standard Setting	100	[1450]
40	50-400	[725-5800]
Standard Setting	280	[4060]

* Aluminum bodies are to be used for pressures less than 210 bar [3000 psi].
* Additional housings available

DIMENSIONS

mm [in]



Installation Torque:
60 Nm [44 ft. lbs]

PERFORMANCE CURVES

Pressure Override

