

Relief Valves

1DR30

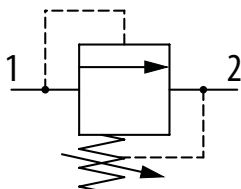
Relief valve, Direct Acting, Poppet Type

400 bar [5800 psi] • 30 l/min [8 US gpm]

DESCRIPTION AND OPERATION

This is a direct acting, poppet type relief valve that relieves from port 1 to 2. It can be used as a cost-effective main relief or to protect an actuator from over-pressurization.

SCHEMATIC



PERFORMANCE DATA

Rated pressure	400 bar [5800 psi]
Rated flow	30 l/min [8 US gpm]
Leakage	0.3 ml/min nominal [5 drops/min]
Weight	0.17 kg [0.37 lb]
Cavity	SDC08-2

MODEL CODE

1DR30 - P - 3W - 40 - S - 377 - 60

Basic Code

1DR30 - No Housing
1DR35 - Cartridge and housing

Adjustment Option

P - External
R - Knob
G - Tamper resistant

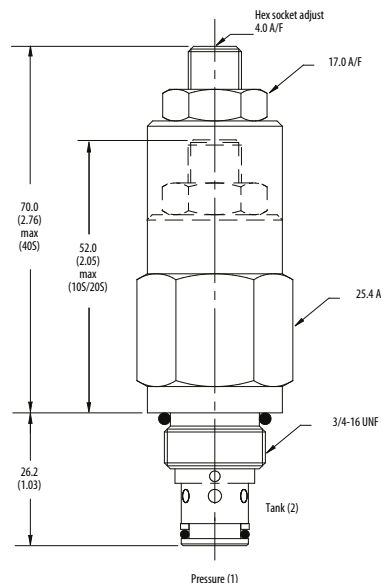
Housing

Code	Ports	Housing Model Code	
		Aluminum	Steel
Omit	No Housing		
2W	1/4" BSP	A1485	
3W	3/8" BSP	A1043	A14175
6T	3/8" SAE	A15676	A14843

* Aluminum bodies are to be used for pressures less than 210 bar [3000 psi].
* Additional housings available

DIMENSIONS

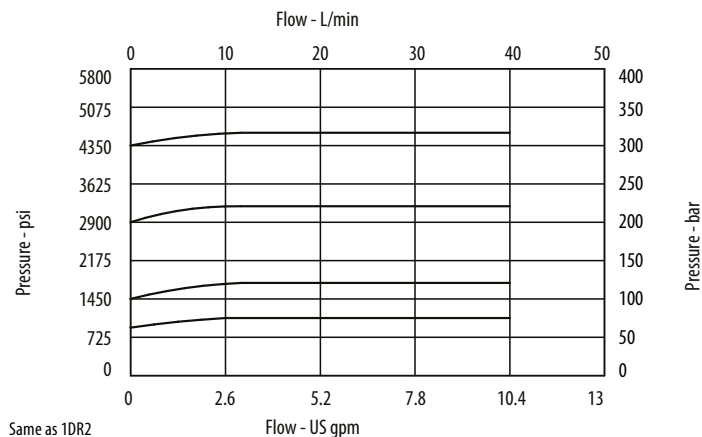
mm [in]



Installation torque
A - 47-54 Nm [35-40 ft. lbs]
S - 68-75 Nm [50-55 ft. lbs]

PERFORMANCE CURVES

Pressure Override



Same as 1DR2

Housing Material

Omit - Aluminum/No housing
377 - Steel

Seal Option

Code	Seal Kit
S-Nitrile	SK243
SV-Viton®	SK243V

Pressure Setting

Code - Pressure setting in bar (5 bar increments within specified Pressure Range)
XXX - Standard setting (see Pressure Range for value)
Example:

Code	Bar	Psi
60	60	[870]

Pressure Range

Code	Bar	Psi
10	7-100	[100-1450]
Standard Setting	70	[1015]
20	35-210	[500-3000]
Standard Setting	100	[1450]
40	50-400	[725-5800]
Standard Setting	280	[4060]

Pressure setting made at 4.8 l/min