

Relief Valves

1VR200

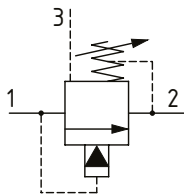
Relief Valve, Pilot Operated, Spool Type, Ventable

350 bar [5000 psi] • 200 l/min [52 US gpm]

DESCRIPTION AND OPERATION

This is a pilot operated, spool type relief valve that relieves from port 1 to port 2 with a vent port 3. Using pilot control valves on the vent line, it can be used as a dump valve, in two pressure systems or as the main section of a proportional control valve while maintaining a maximum relief pressure.

SCHEMATIC

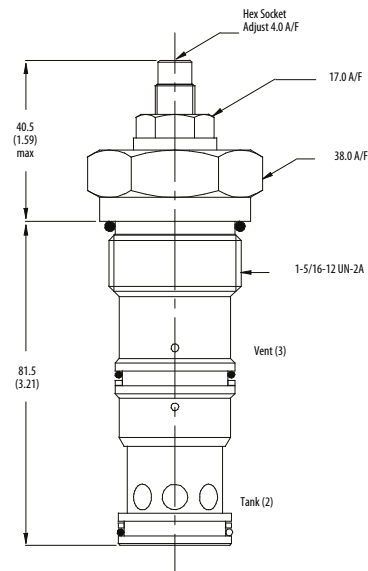


PERFORMANCE DATA

Rated pressure	350 bar [5000 psi]
Rated flow	200 l/min [52 US gpm]
Leakage	35 ml/min @ 280 bar [4060 psi]
Weight	0.74 kg [1.6 lb]
Cavity	A16102

DIMENSIONS

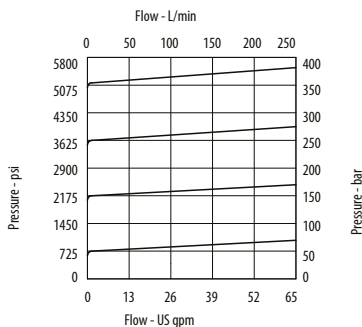
mm [in]



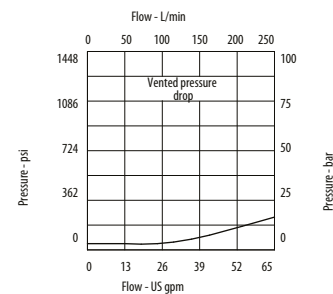
Installation torque
100 Nm [73 ft. lbs]

PERFORMANCE CURVES

Pressure Override



Pressure Drop



MODEL CODE

1VR200 - P - 6W - 35 - S - 377 - 75

Basic Code

1VR200 - No Housing
1VR250 - Cartridge and housing

Adjustment Option

P - External
G - Tamper resistant

Housing

Code	Ports	Housing Model Code	
		Aluminum	Steel
Omit	No Housing		
8W	1" BSP	B3496	B3497
16T	1" SAE	B6807	B11555

* Aluminum bodies are to be used for pressures less than 210 bar [3000 psi].

* Additional housings available

Housing Material

Omit - Aluminum/No housing
377 - Steel

Seal Option

Code	Seal Kit
S-Nitrile	SK173
SV-Viton	SK173V

Pressure Setting

Code - Pressure setting in bar (5 bar increments within specified Pressure Range)
XXX - Standard setting (see Pressure Range for value)
Example:

Code	Bar	Psi
75	75	[1190]

Pressure Range

Code	Bar	Psi
20	10-210	[145-3000]
Standard Setting	100	[1450]
35	30-350	[435-5000]
Standard Setting	210	[3000]

Pressure setting made at 14 l/min