

Relief Valves

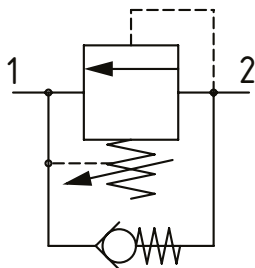
RV2-10

Relief valve, Pilot Operated, Spool Type with Reverse Free Flow
350 bar [5000 psi] • 114 l/min [30 US gpm]

DESCRIPTION AND OPERATION

This is a pilot operated, spool type relief valve that relieves from port 1 to port 2 with an integrated reverse flow check valve from port 2 to 1. It can be used to limit pressure in a system or on the work port of a directional valve. It maintains accurate pressure control with constant or varying flows, while also allowing make up flow through in the reverse direction.

SCHEMATIC



PERFORMANCE DATA

Rated pressure	350 bar [5000 psi]
Rated flow	114 l/min [30 US gpm]
Leakage	0.3 ml/min [5 drops/min] @ 85% of Pressure Setting
Weight	0.22 kg [0.48 lb]
Cavity	SDC10-2

MODEL CODE

RV2 - 10 - V - C - S - 2G - 20 - 10

Seal Option

Code	Seal Kit
Omit - Buna - N	565803
V - Viton	566086

Adjustment Option

C - Tamper Resistant
 F - Fixed
 I - Internal
 K - Knob
 S - External

Housing Material

Omit - Aluminum/No housing
 S - Steel

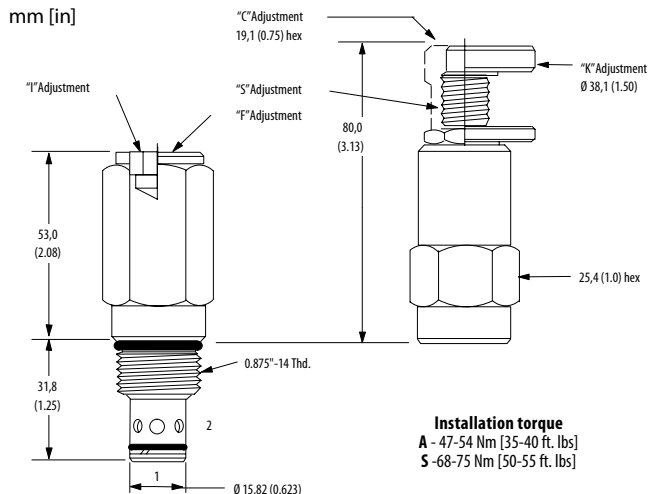
Housing

Code	Ports	Housing Model Code		
		Aluminum Standard Duty	Aluminum Heavy Duty	Steel Heavy Duty
0	No Housing			
3B	3/8" BSP	02-175462	-	-
2G	1/4" BSP	-	876702	02-175102
3G	3/8" BSP	-	876703	02-175103
6H	#6 SAE	-	876700	-
8H	#8 SAE	-	876701	-
6T	#6 SAE	566151	-	02-175100
8T	#8 SAE	-	-	02-175101

* Aluminum bodies are to be used for pressures less than 210 bar [3000 psi].

* Additional housings available

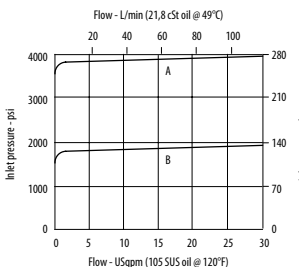
DIMENSIONS



Installation torque
 A - 47-54 Nm [35-40 ft. lbs]
 S - 68-75 Nm [50-55 ft. lbs]

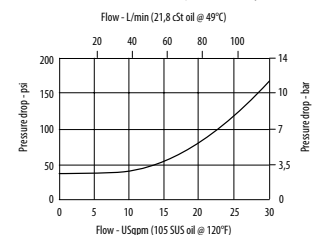
PERFORMANCE CURVES

Pressure Override



A - 50 spring - B - 20 spring

Pressure Drop for reverse flow cartridge only



Pressure Range

Code	Bar	Psi
3	3.5-20	[50-300]
Standard Setting	10.3	[150]
20	7-140	[100-2000]
Standard Setting	69	[1000]
35	17-240	[250-3500]
Standard Setting	121	[1750]
50	35-350	[500-5000]
Standard Setting	172	[2500]