

Relief Valves

RV3-16

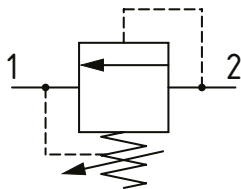
Relief Valve, Differential Area, Poppet Type

350 bar [5000 psi] • 300 l/min [80 US gpm]

DESCRIPTION AND OPERATION

This is a fast acting, differential area, poppet type relief valve that relieves from port 2 to 1. It can be used to protect an actuator from over-pressurization or to remove pressure spikes.

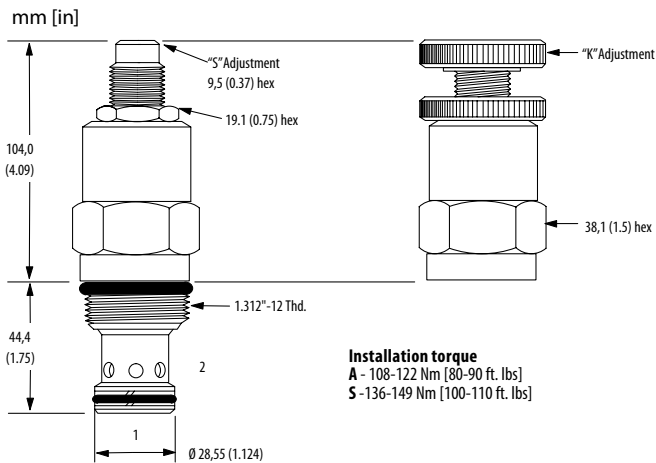
SCHEMATIC



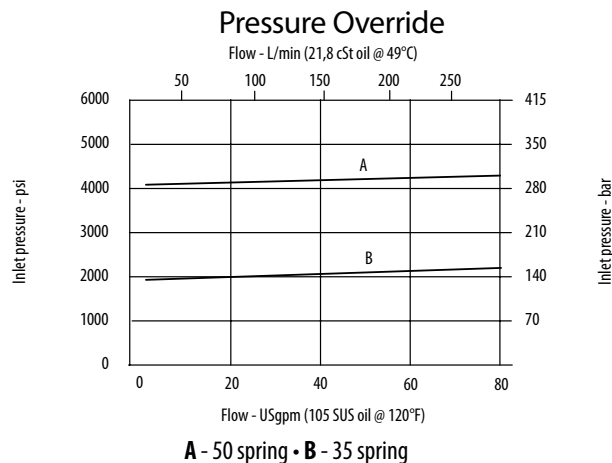
PERFORMANCE DATA

Rated pressure	350 bar [5000 psi]
Rated flow	300 l/min [80 US gpm]
Weight	0,71 kg [1.57 lbs]
Capacity	SDC16-2

DIMENSIONS



PERFORMANCE CURVES



MODEL CODE

RV3 - 16 - V - C - S - 6B - 5 - 10

Seal Option

Code	Seal kit
Omit-Buna-N	565810
V-Viton	889609

Adjustment Option

C - Tamper Resistant
 K - Knob
 S - External

Housing Material

Omit - Aluminum/No housing
 S - Steel

Housing

Code	Ports	Aluminum Standard duty	Aluminum Heavy duty	Steel Heavy duty
0	No Housing			
6B	3/4" BSP	02-175463		
4G	1/2" BSP		876716	02-175106
6G	3/4" BSP		876718	02-175107
10H	#10 SAE		876717	
12H	#12 SAE		866113	
10T	#10 SAE		566113	02-175104
12T	#12 SAE	566149		02-175105

* Aluminum bodies are to be used for pressures less than 210 bar [3000 psi].

* Additional housings available

Pressure Setting

Code x10 - Pressure setting in psi (50 psi increments within specified Pressure Range)
 XXX - Standard setting (see Pressure Range for value)
 Example:

Code	Bar	Psi
10	70	[1000]
10.5	72.4	[1050]

Pressure Range

Code	Bar	Psi
5	3,5-35	[50-500]
Standard Setting	15,5	[225]
13	35-90	[300-1300]
Standard Setting	34,5	[500]
35	83-240	[1200-3500]
Standard Setting	79	[1150]
50	140-350	[2000-5000]
Standard Setting	103	[1500]