

Relief Valves

VEN 06

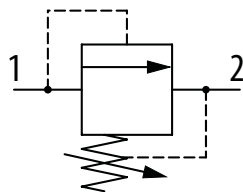
Relief Valve, Direct Acting, Poppet Type with Dampening

315 bar [4600 psi] • 40 l/min [11 US gpm]

DESCRIPTION AND OPERATION

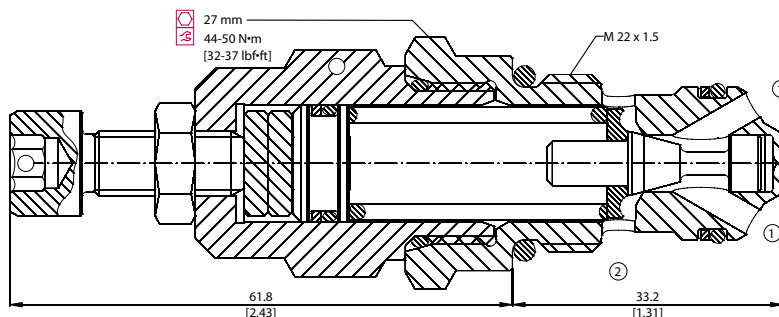
This is a direct acting, poppet type relief valve that relieves from port 1 to 2. It features a highly damped poppet for smooth and stable response. It can be used as a cost-effective main relief or to protect an actuator from over-pressurization.

SCHEMATIC



DIMENSIONS

mm [in]

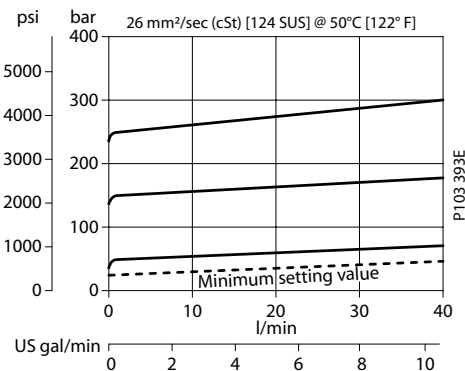


PERFORMANCE DATA

Rated pressure	315 bar [4600 psi]
Rated flow	40 l/min [11 US gpm]
Weight	0.20 kg [0.44 lb]
Cavity	NCS06/2

PERFORMANCE CURVES

Pressure Override



MODEL CODE

VEN 06 - M - 1 - DG3/8 - V - 60

Adjustment Option

EN - External
M - Calibrated Knob

Pressure Range

Code	Bar	Psi
1	20-80	[290-1150]
Standard Setting		Not set
2	35-160	[510-2300]
Standard Setting		Not set
3	70-315	[1015-4600]
Standard Setting		Not set

Pressure Setting

Code - Pressure setting in bar (5 bar increments within specified Pressure Range)
XXX - Standard setting (see Pressure Range for value)
Example:

Seal Option

Code	Seal kit	Bar	Psi
60		60	[870]
Omit-Buna-N	230000060		
V-Viton	230000380		

Housing

Code	Ports & Material	Housing Model Code
00	No Housing	No Housing
DG3/8	AL, 3/8 BSP	NCS06/2-DG-3/8
DG1/2	AL, 1/2 BSP	NCS06/2-DG-1/2
DG65	AL, #6 SAE	NCS06/2-DG-65
DG85	AL, #8 SAE	NCS06/2-DG-85

* Aluminum bodies are to be used for pressures less than 210 bar [3000 psi].

*Additional housings available