

Sequence and Unloading Valves

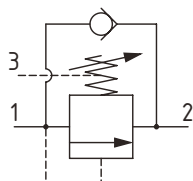
1PSC30

Sequence Valve, Direct Acting, Poppet Type with Reverse Free Flow, Internal Pilot, External Drain
350 bar [5000 psi] • 30 l/min [8 US gpm]

DESCRIPTION AND OPERATION

This is a direct acting, poppet type sequence valve with a reverse flow check. It opens from port 1 to port 2 when the set pressure is reached and free flows from port 2 to 1. It can be used to sequence operations in a system or in a service line after a directional valve, where free flow is necessary in the reverse direction.

SCHEMATIC

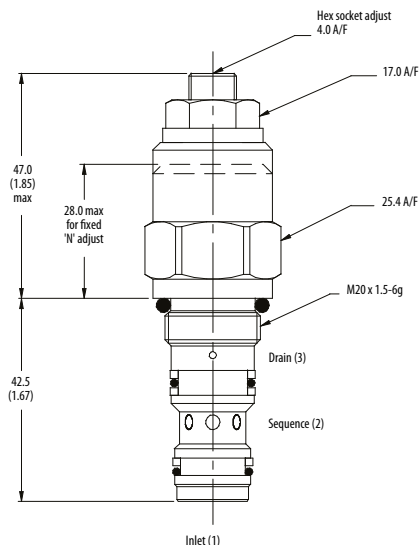


PERFORMANCE DATA

Rated pressure	350 bar [5000 psi]
Rated flow	30 l/min [8 US gpm]
Leakage	0.3 ml/min nominal [5 drops/min]
Weight	0.15 kg [0.33 lb]
Cavity	A6610

DIMENSIONS

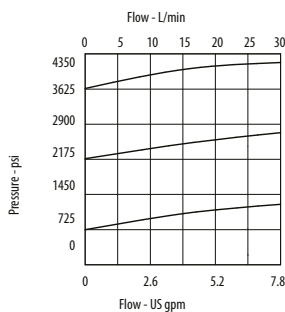
mm [in]



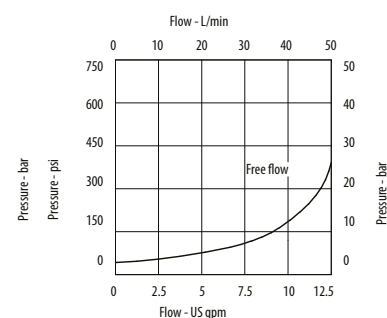
Installation torque
 45 Nm [33 ft. lbs]

PERFORMANCE CURVES

Pressure Override



Pressure Drop



MODEL CODE

1PSC35 - F - 3W - 20 - S - 377 - 60

Basic Code

1PSC30 - No housing
 1PSC35- Cartridge and Housing

Adjustment Option

F - External
 N - Non-adjustable option, contact technical support.

Housing

Code	Ports	Housing Model Code	
		Aluminum	Steel
Omit	No Housing		
3W	3/8" BSP Valve & Cyl Port. 1/4" BSP Pilot Port	B6743	B12823
6T	3/8" SAE Valve & Cyl Port. 1/4" SAE Pilot Port	B10536	
8T	1/2" SAE Valve & Cyl Port. 1/4" SAE Pilot Port	B7884	B11811

* Aluminum bodies are to be used for pressures less than 210 bar [3000 psi].

* Additional housings available

Pressure Setting

Code- Pressure setting in bar (5 bar increments within specified Pressure Range)
 XXX-Standard setting (see Pressure Range for value)
 Example:

Code	Bar	Psi
60	60	[870]

Housing Material

Omit - Aluminum/No housing
 377 - Steel

Seal Option

Code	Seal Kit
S-Buna-N	SK395
SV-Viton	SK395V

Pressure Range

Code	Bar	Psi
10	10-100	[145-1450]
Standard Setting	70	[1015]
20	60-210	[870-3000]
Standard Setting	100	[1450]
35	70-350	[1015-5000]
Standard Setting	210	[3000]

Setting made at 4.8 l/min