

Sequence and Unloading Valves

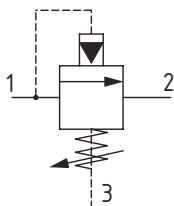
1PS200

Sequence Valve, Pilot Operated, Spool Type, Internal Pilot, External Drain
350 bar [5000 psi] • 250 l/min [66 US gpm]

DESCRIPTION AND OPERATION

This is a pilot operated, spool type sequence valve that opens from port 1 to port 2 when the setting is reached. This is ideal for sequencing a secondary operation while maintaining pressure in the primary operation, limiting pressure loss with constant or varying flows.

SCHEMATIC

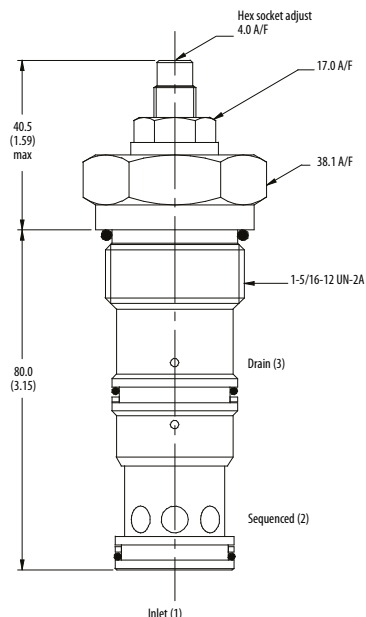


PERFORMANCE DATA

Rated pressure	350 bar [5000 psi]
Rated flow	250 l/min [60 US gpm]
Leakage	35 ml/min @ 280 bar [4060 psi]
Weight	0.72 kg [1.60 lb]
Cavity	A16102

DIMENSIONS

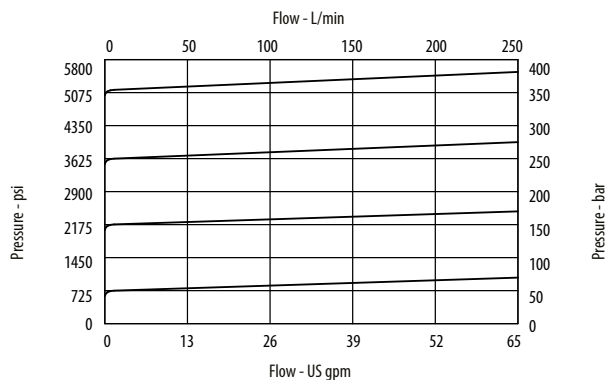
mm [in]



Installation torque
100 Nm [76 ft. lbs]

PERFORMANCE CURVES

Pressure Override



MODEL CODE

1PS250 - P - 8W - 35 - S - 377 - 60

Basic Code

1PS200 - No housing
 1PS250 - Cartridge and Housing

Adjustment Option

P - External
 R - Knob
 G - Tamper Resistant

Housing

Code	Ports	Housing Model Code	
		Aluminum	Steel
Omit	No Housing		
8W	1" BSP, 1/4" BSP Drain Port	B3496	B3497
16T	1" SAE, 1/4" SAE Drain Port	B6807	B11555

* Aluminum bodies are to be used for pressures less than 210 bar [3000 psi].

* Additional housings available

Pressure Setting

Code - Pressure setting in bar (5 bar increments within specified Pressure Range)
 XXX - Standard setting (see Pressure Range for value)
 Example:

Code	Bar	Psi
60	60	[870]

Housing Material

Omit - Aluminum/No housing
 377 - Steel

Seal Option

Code	Seal Kit
S-Buna-N	SK173
SV-Viton	SK173V

Pressure Range

Code	Bar	Psi
20	10-210	[150-3000]
Standard Setting	100	[1450]
35	50-350	[725-5000]
Standard Setting	280	[4060]

Setting made at 14 l/min