

# Sequence and Unloading Valves

## 1PSC100

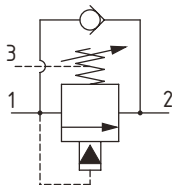
Sequence Valve, Pilot Operated, Poppet Type with Reverse Free Flow, Internal Pilot, External Drain

**350 bar [5000 psi] • 150 l/min [40 US gpm]**

### DESCRIPTION AND OPERATION

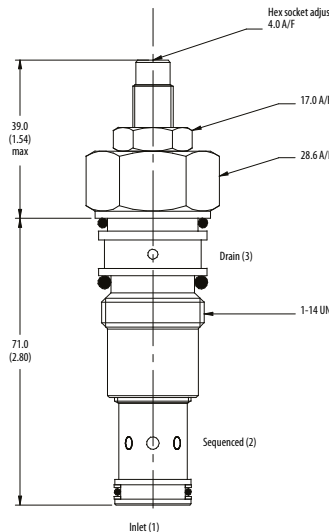
This is a pilot operated, poppet type sequence valve with a reverse flow check. It opens from port 1 to port 2 when the set pressure is reached and free flows from port 2 to 1. It can be used to sequence operations in a system or in a service line after a directional valve, where free flow is necessary in the reverse direction.

### SCHEMATIC



### DIMENSIONS

mm [in]



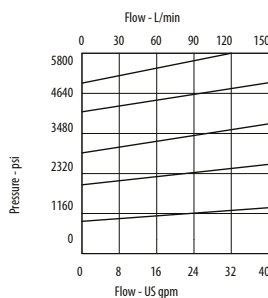
**Installation torque**  
60 Nm [44 ft. lbs]

### PERFORMANCE DATA

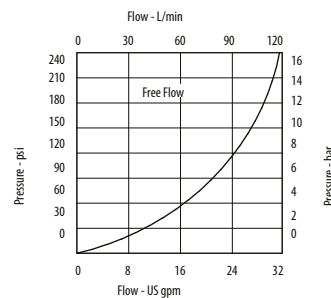
<b>Rated pressure</b>	<b>350 bar [5000 psi]</b>
<b>Rated flow</b>	<b>150 l/min [40 US gpm]</b>
<b>Leakage</b>	35 ml/min @ 280 bar [4060 psi]
<b>Weight</b>	0.17 kg [0.37 lb]
<b>Cavity</b>	A880

### PERFORMANCE CURVES

#### Pressure Override



#### Pressure Drop



### MODEL CODE

**1PSC145 - P - 3W - 35 - S - 377 - 60**

#### Basic Code

1PSC100 - No housing  
1PSC145 - Cartridge and Housing

#### Adjustment Option

P - External  
R - Knob  
G - Tamper Resistant

#### Housing

Code	Ports	Housing Model Code	
		Aluminum	Steel
Omit	No Housing		
3W	3/8" BSP 1/4" BSP Drain Ports		
4W	1/2" BSP 1/4" BSP Drain Ports	B4821	B4527
6W	3/4" BSP 1/4" BSP Drain Ports	B5466	B4403
6T	3/8" SAE 1/4" SAE Drain Ports	B10793	
8T	1/2" SAE 1/4" SAE Drain Ports	B6584	
12T	3/4" SAE 1/4" SAE Drain Ports	B7883	B11379

#### Housing Material

Omit - Aluminum/No housing  
377 - Steel

#### Seal Option

Code	Seal Kit
S-Buna-N	SK177
SV-Viton	SK177V

#### Pressure Range

Code	Bar	Psi
7	2-70	[29-1015]
Standard Setting	35	[510]
20	10-210	[150-3000]
Standard Setting	100	[1450]
35	50-350	[725-5000]
Standard Setting	280	[4060]

Setting made at 14 l/min

#### Pressure Setting

Code - Pressure setting in bar (5 bar increments within specified Pressure Range)  
XXX - Standard setting (see Pressure Range for value)  
Example:

Code	Bar	Psi
60	60	[870]

\* Aluminum bodies are to be used for pressures less than 210 bar [3000 psi].

\* Additional housings available