

# Sequence and Unloading Valves

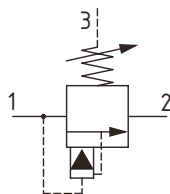
## 1UPS100

Kick-Down Sequence Valve, Pilot Operated, Spool Type, Internal Pilot, External Drain  
**350 bar [5000 psi] • 150 l/min [40 US gpm]**

### DESCRIPTION AND OPERATION

This is a pilot operated, spool type sequence valve that opens from port 1 to port 2 when the setting is reached. It then automatically vents the main spool, causing the inlet pressure in port 1 to fall to the pressure in port 2. Sometimes known as a 'kick-down' valve, it can be used to sequence operations in a system limiting pressure loss, where the pressure in the second operation is much lower than the first.

### SCHEMATIC



### PERFORMANCE DATA

<b>Rated pressure</b>	<b>350 bar [5000 psi]</b>
<b>Rated flow</b>	<b>150 l/min [40 US gpm]</b>
<b>Leakage</b>	100 ml/min nominal
<b>Weight</b>	0.17 kg [0.37 lb]
<b>Cavity</b>	A880

### MODEL CODE

1UPS145 - P - 3W - 35 - S - 377 - 60

**Basic Code**

1UPS100 - No housing  
 1UPS145 - Cartridge and housing  
 1UPS155 - Cartridge and dual housing

**Adjustment Option**

P - External  
 R - Knob  
 G - Tamper Resistant

**Housing**

Code	Ports	Housing Model Code	
		Aluminum	Steel
Omit	No housing		
4W	1/2" BSP 1/4" BSP Drain Ports	B4821	B4527
6W	3/4" BSP 1/4" BSP Drain Ports	B5466	B4403
6T	3/8" SAE 1/4" SAE Drain Ports	B10793	
8T	1/2" SAE 1/4" SAE Drain Ports	B6584	
12T	3/4" SAE 1/4" SAE Drain Ports	B7883	B11379

\* Aluminum bodies are to be used for pressures less than 210 bar [3000 psi].  
 \* Additional housings available

**Pressure Setting**

Code - Pressure setting in bar (5 bar increments within specified Pressure Range)  
 XXX - Standard setting (see Pressure Range for value)  
 Example:

Code	Bar	Psi
60	60	[870]

**Housing Material**

Omit - Aluminum/No housing  
 377 - Steel

**Seal Option**

Code	Seal Kit
S-Buna-N	SK177
SV-Viton	SK177V

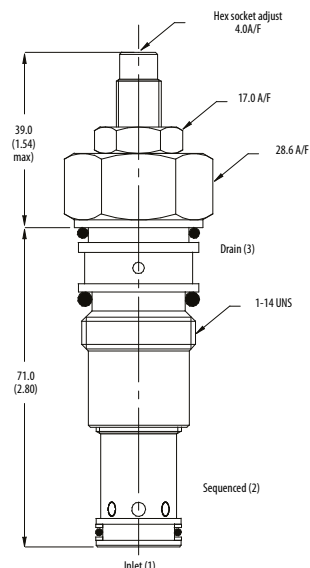
**Pressure Range**

Code	Bar	Psi
20	10-210	[100]
Standard Setting	100	[145-3000]
35	30-350	[210]
Standard Setting	210	[435-5000]

Setting made at 14 l/min

### DIMENSIONS

mm [in]



**Installation torque**  
 60 Nm [44 ft. lbs]

### PERFORMANCE CURVES

