

Sequence and Unloading Valves

PSV5-10

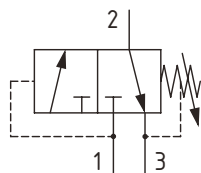
Sequence Valve, Normally Closed, Spool Type, Internal Pilot, Internal Drain

210 bar [3000 psi] • 8 l/min [2 US gpm]

DESCRIPTION AND OPERATION

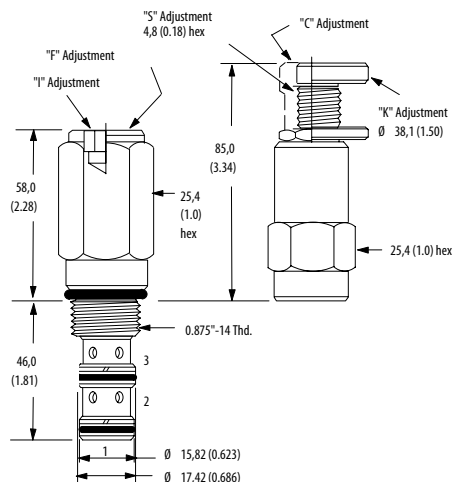
This is a three ported sequence valve, where pressure sensed at port 1 will shift valve and open port 1 to port 2. Port 3 should always be referenced to tank. This is ideal for use as a brake release valve in a transmission circuit.

SCHEMATIC



DIMENSIONS

mm [in]

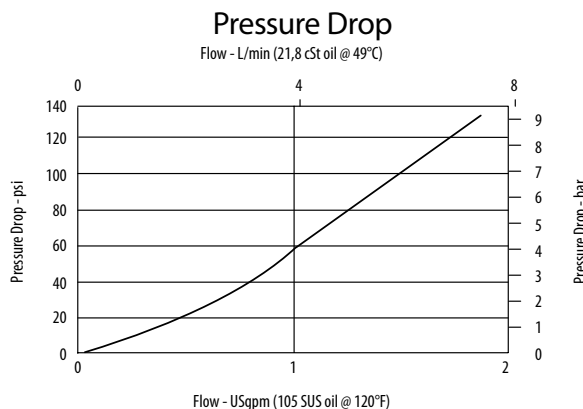


Installation torque
A - 47-54 Nm [35-40 ft. lbs]
S - 68-75 Nm [50-55 ft. lbs]

PERFORMANCE DATA

Rated pressure	210 bar [3000 psi]
Rated flow	8 l/min [2 US gpm]
Leakage	82 ml/min [5 l ⁿ /min] @ 210 bar [3000 psi]
Weight	0.24 kg [0.53 lb]
Cavity	SDC10-3

PERFORMANCE CURVES



MODEL CODE

PSV5 - 10 - V - C - S - 3B - 14 - 10

Seal Option

Code	Seal Kit
Omit-Buna - N	565804
V-Viton	889599

Adjustment Option

C - Tamper Resistant
 K - Knob
 I - Internal
 F - Fixed
 S - External

Housing Material

Omit - Aluminum/No Housing
 S - Steel

Housing

Code	Ports	Housing Model Code		
		Aluminum Standard Duty	Aluminum Heavy Duty	Steel Heavy Duty
0	No Housing			
3B	3/8" BSP	02-173358	-	-
2G	1/4" BSP	-	876705	02-175127
3G	3/8" BSP	-	876714	02-175128
6H	#6 SAE	-	876704	-
8H	#8 SAE	-	876711	-
6T	#6 SAE	566162	-	02-175124
8T	#8 SAE	-	-	02-175125

* Aluminum bodies are to be used for pressures less than 210 bar [3000 psi].
 * Additional housings available

Pressure Setting

Code - x100 - Pressure setting in psi (50 psi increments within specified Pressure Range)
 XXX - Standard setting (see Pressure Range for value)
 Examples:

Code	Bar	Psi
10	69	[1000]
10.5	72.4	[1050]

Pressure Range

Code	Bar	Psi
5	3.5-30	[50-450]
Standard Setting	16	[225]
9	7-62	[100-900]
Standard Setting	31	[450]
14	14-95	[200-1400]
Standard Setting	48	[700]
28	20-190	[300-2800]
Standard Setting	97	[1400]