

Shuttle Valves

SV 04

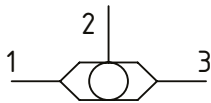
Load Shuttle Valve

315 bar [4600 psi] • 15 l/min [4 US gpm]

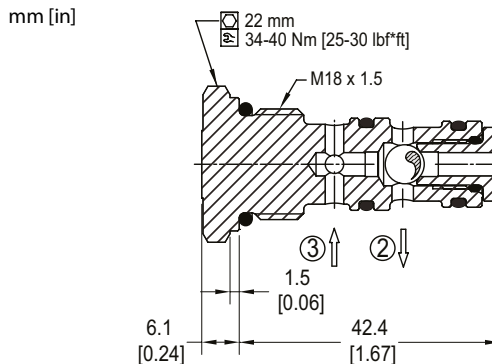
DESCRIPTION AND OPERATION

This valve senses the higher of the two input pressures at ports 1 and 3 and routes it to the output port 2.

SCHEMATIC



DIMENSIONS

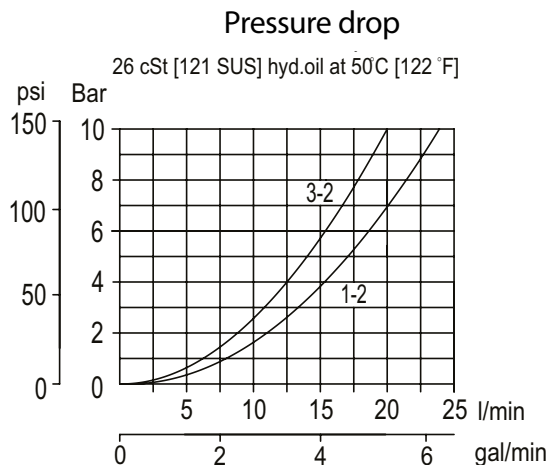


PERFORMANCE DATA

| | |
|-------------------------------------|------------------------------|
| Rated pressure* | 315 bar [4600 psi] |
| Rated flow at 7 bar [100psi] | 15 l/min [4 US gpm] |
| Leakage | 6 drops/min @ Rated pressure |
| Weight | 0.07 kg [0.15 lb] |
| Cavity | NCS04/3 |

*Rated pressure based on NFPA fatigue test standard [at 1 million cycles]

PERFORMANCE CURVES



MODEL CODE

SV04 - 00 - V

Housing

| Code | Ports & Material | Housing Model Code |
|-------|------------------|--------------------|
| 00 | No Housing | No Housing |
| SE1/4 | AL, 1/4 BSP | NCS04/3-SE-1/4 |
| SE45 | AL, #4 SAE | NCS04/3-SE-45 |
| SE65 | AL, #6 SAE | NCS04/3-SE-65 |

* Aluminum bodies are to be used for pressures less than 210 bar [3000 psi].

* Additional housings available

Seal Option

| Code | Seal kit |
|---------|-----------|
| B-Omit | 230000160 |
| V-Viton | 230000450 |