

Solenoid Valves

SBV1-10-C

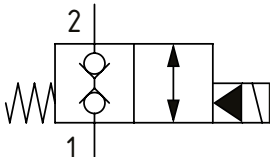
Solenoid Valve, 2-way, Poppet Type, Normally Closed, Pilot Operated, Double Blocking

210 bar [3000 psi] • 76 l/min [20 US gpm]

OPERATION AND DESCRIPTION

This is a 2-way, 2-position, poppet type, pilot operated, normally closed, bi-directional solenoid valve. In its de-energized condition flow is blocked in both directions. Leakage in either direction is kept to a minimum due to the poppet design. When energized, flow can take place from port 2 to 1 and from 1 to 2. These valves can be used to hold loads in position or interrupt a pressure line where flow is expected to pass in both directions in the de-energized condition.

SCHEMATIC



PERFORMANCE DATA

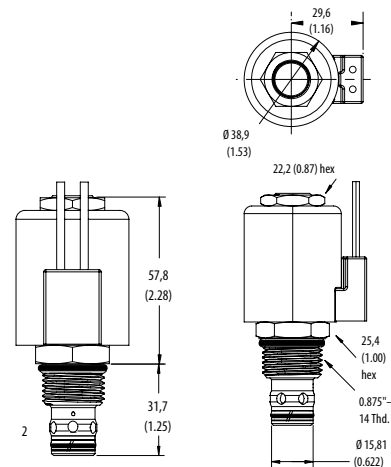
Rated Pressure	210 bar [3000 psi]
Rated flow	76 l/min [20 US gpm]
Leakage	5 drops/ min @ 210 bar [3000 psi]
Coil Options	J series
Weight	0.18 kg [0.39 lb]
Cavity	SDC 10-2

DIMENSIONS

mm [in]

Coil nut torque
5-8 Nm [4-6 ft. lbs]

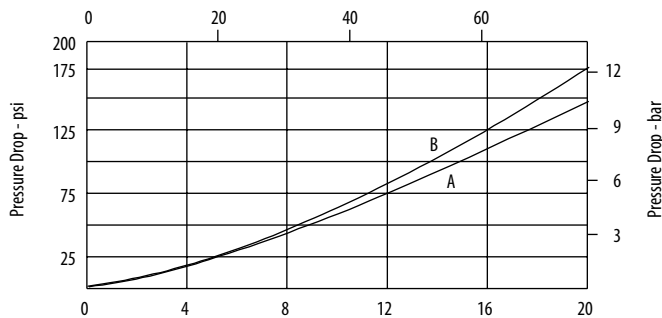
Installation torque
47-54 Nm [35-40 ft. lbs]



PERFORMANCE CURVES

Pressure Drop

Flow - L/min (21,8 cSt oil @ 49°C)



Flow - USgpm (105 SUS oil @ 120°F)

A - Port 1 to port 2 • B - Port 2 to port 1

MODEL CODE

SBV1 - 10 - V - M - A - 2G - 12D - G - J

Seal Option

Code	Seal kit
Omit - Buna - N	565806
V-Viton	889627

Manual Override Option

Omit - No manual override
M - Pull and Twist

Housing Material

Omit - No Housing
A - Aluminum
S - Steel

Housing

Code	Ports	Aluminum Standard Duty	Aluminum Heavy Duty	Steel
0	No Housing			
2G	1/4" BSP		876702	02-175102
3G	3/8" BSP		876703	02-175103
3B	3/8" BSP	02-175462		
6H	#6 SAE		876700	
6T	#6 SAE	566151		02-175100
8H	#8 SAE		876701	
8T	#8 SAE			02-175101

* Aluminum bodies are to be used for pressures less than 210 bar [3000 psi].
* Additional housings available

Coil Series

Omit - No coil
J - 10 Series, 23 W

Connector Type

Omit - No coil
G - ISO 4400 DIN 43650
Q - Spade terminals
W - Flying lead
N - Deutsch (DC only)
Y - Amp JR (DC only)
D - Metripack 150 male (DC only)
J - Metripack 280 male (DC only)

Coil Voltage

Code	Coil Voltage
00	No Coil, nut included (p/n 565558)
12D	12 VDC
24D	24 VDC
115A	115 VAC**
230A	230 VAC**
12B	2VDC/w diode*
24B	24 VDC/w diode*

*Optional arc suppression diode
**Internally rectified
***Other voltage options available