

# Solenoid Valves

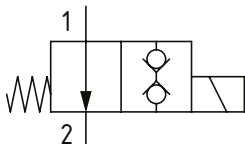
## S207

Solenoid Valve, 2-way, Poppet Type, Normally Open, Direct Acting, Double Blocking  
**350 bar [5000 psi] • 1 l/min [0.25 US gpm]**

### OPERATION AND DESCRIPTION

This is a 2-way, 2-position, poppet type, direct acting, normally open, bi-directional solenoid valve for low flow applications. When energized, flow can take place from port 2 to 1 and from 1 to 2. In its energized condition, flow is blocked in both directions. Leakage in either direction is kept to a minimum due to the poppet design. These valves can be used to hold loads in position, provide controlled lowering or as a pilot valve for larger valves such as ventable relief valves or logic elements.

### SCHEMATIC

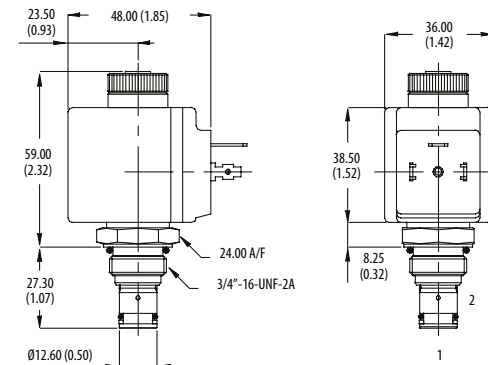


### DIMENSIONS

mm [in]

**Coil nut torque**  
 3.4 Nm [2.5 ft. lbs]

**Installation torque**  
 20 Nm [15 ft. lbs]

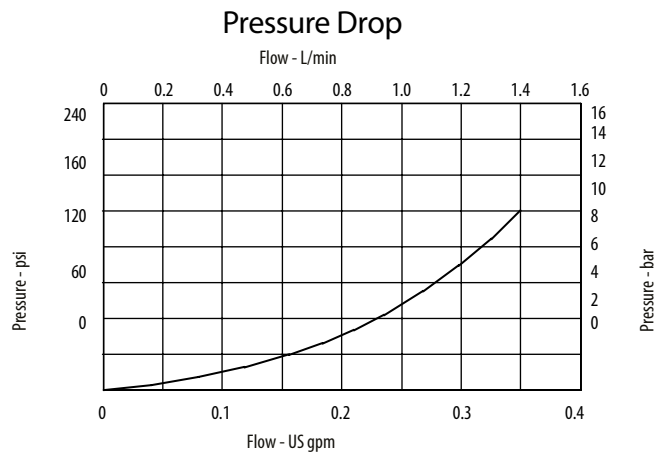


### PERFORMANCE DATA

<b>Rated Pressure*</b>	<b>350 bar [5000 psi]</b>
<b>Rated flow</b>	<b>1 l/min [0.25 US gpm]</b>
<b>Leakage</b>	0.3 drops/min [5 dpm] @ 210 bar [3000 psi]
<b>Coil Options</b>	C13
<b>Weight</b>	0.1 kg [0.2 lb]
<b>Cavity</b>	SDC08-2

\*Max pressure at port 2 is 210 bar [3000 psi]

### PERFORMANCE CURVES



### MODEL CODE

**S207 - V - 24 - H - 3W - 377**

#### Seal Option

Code	Seal kit
V-Viton®	SK1043V

#### Coil Voltage

12 - 12 VDC  
 24 - 24 VDC  
 110 - 110 VAC\*  
 220 - 220 VAC\*

\*External rectifier needed

#### Connector Type

H - DIN43650  
 F - Flying lead  
 DM - Deutsch moulded

#### Housing Material

Omit - Aluminum / No housing  
 377 - Steel

#### Housing

Code	Ports	Aluminium	Steel
Omit	No Housing		
2W	1/4" BSP	A1485	
3W	3/8" BSP	A1043	A14175
6T	3/8" SAE	A15676	A14843

\* Aluminum bodies are to be used for pressures less than 210 bar [3000 psi].

\* Additional housings available