

# Solenoid Valves

## SBV12-8-C

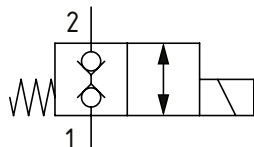
Solenoid Valve, 2-way, Poppet Type, Normally Closed, Direct Acting, Double Blocking

350 bar [5000 psi] • 1 l/min [0.25 US gpm]

### OPERATION AND DESCRIPTION

This is a 2-way, 2-position, poppet type, direct acting, normally closed, bi-directional solenoid valve for low flow applications. In its de-energized condition, flow is blocked in both directions. Leakage in either direction is kept to a minimum due to the poppet design. When energized, flow can take place from port 2 to 1 and from 1 to 2. These valves can be used to hold loads in position, provide controlled lowering, or as a pilot valve for larger valves such as ventable relief valves or logic elements.

### SCHEMATIC



### PERFORMANCE DATA

Rated Pressure	350 bar [5000 psi]
Rated flow	1 l/min [0.25 US gpm]
Leakage	5 drops/ min @ 350 bar [5000 psi]
Coil Options	P series
Weight	0.120 kg [0.26 lb]
Cavity	SDC08-2

### MODEL CODE

**SVB12 - 8 - V - C - M - A - 2G - 12D - G - P**

#### Seal Option

Code	Seal kit
Omit-Buna - N	02-160777
V-Viton	02-160778

#### Manual Override Option

Omit - No manual override  
M - Pull and Twist

#### Housing Material

Omit - No Housing  
A - Aluminium  
S - Steel

#### Housing

Code	Ports	Aluminium	Steel
0	No Housing		
2G	1/4" BSP	02-160727	02-160733
3G	3/8" BSP	02-160728	02-160734
4T	#4 SAE	02-160730	02-160736
6T	#6 SAE	02-160731	02-160737
8T	#8 SAE	02-160732	02-160738

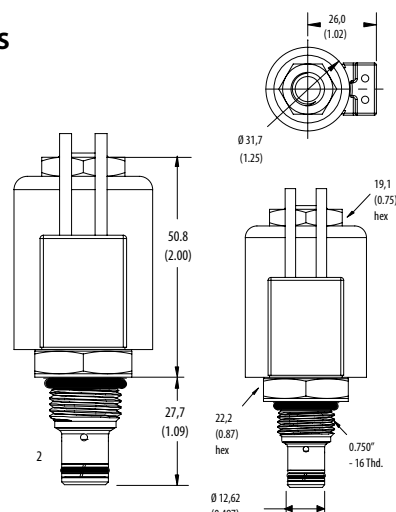
\* Aluminium bodies are to be used for pressures less than 210 bar [3000 psi].  
\* Additional housings available

### DIMENSIONS

mm [in]

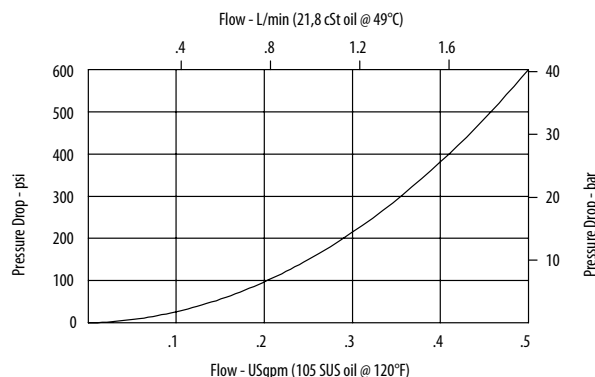
Coil nut torque  
5-8 Nm [4-6 ft. lbs]

Installation torque  
34-41 Nm [25-30 ft. lbs]



### PERFORMANCE CURVES

#### Pressure Drop



- Coil Series**
- Omit - No coil
  - P - 8 Series, 23 W
- Connector Type**
- Omit - No coil
  - G - ISO 4400 DIN 43650
  - Q - Spade terminals
  - W - Flying lead
  - N - Deutsch (DC only)
  - Y - Amp JR (DC only)
  - D - Metripack 150 male (DC only)
  - J - Metripack 280 male (DC only)
- Coil Voltage**

Code	Coil Voltage
00	No Coil, nut included (p/n 565558)
12D	12 VDC
24D	24 VDC
115A	115 VAC**
230A	230 VAC**
12B	2VDC/w diode*
24B	24 VDC/w diode*

\*Optional arc suppression diode  
\*\*Internally rectified  
\*\*\*Other voltage options available