

# Solenoid Valves

## SV11-10-4

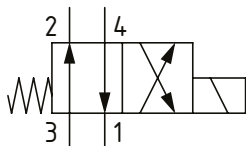
Solenoid Valve, 4-way, 2-position, Spool Type

350 bar [5000 psi] • 23 l/min [6 USgpm]

### OPERATION AND DESCRIPTION

This is a 4-way, 2-position, spool type, direct acting solenoid valve. In the de-energized, condition port 3 is open to 2 and port 4 to 1. When energized port 3 is open to 4 and port 2 to 1. These valves are used to control the movement of cylinders or motors able to reverse the motion. Always check the operating envelope to make sure the valve will work under the required application conditions.

### SCHEMATIC

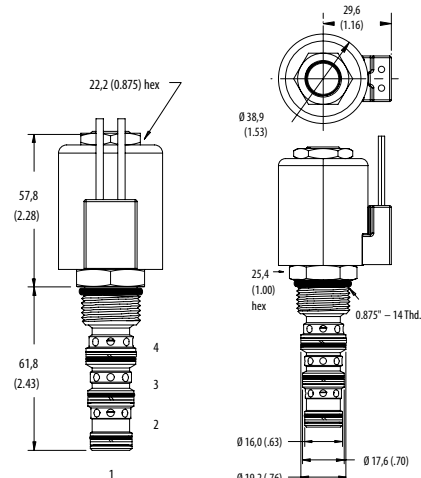


### DIMENSIONS

mm [in]

Coil nut torque  
5-8 Nm [4-6 ft. lbs]

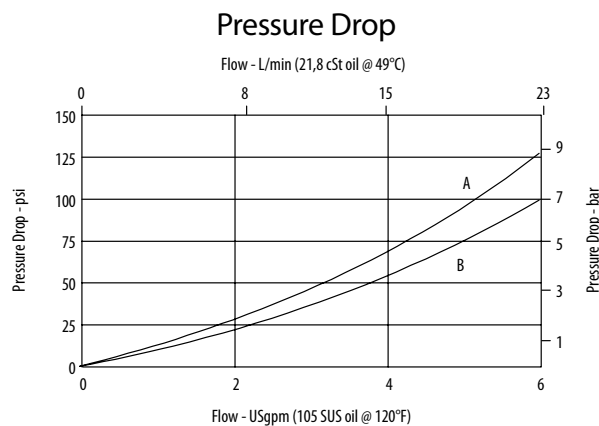
Installation torque  
68-75 Nm [50-55 ft. lbs]



### PERFORMANCE DATA

<b>Rated Pressure</b>	<b>350 bar [5000 psi]</b>
<b>Flow Capability</b>	<b>23 l/min [6 USgpm]</b>
<b>Leakage</b>	82 ml/min (5 in <sup>3</sup> /min) @ 350 bar [5000 psi]
<b>Coil Options</b>	H series
<b>Weight</b>	0.21 kg [0.46 lb]
<b>Cavity</b>	SDC10-4

### PERFORMANCE CURVES



### MODEL CODE

**SV11 - 10 - V - 4 - M - S - 2G - 12D - G - H**

<b>Seal Option</b>		<b>Coil Series</b>	
<b>Code</b>	<b>Seal kit</b>	<b>Omit</b> - No coil	<b>H</b> - 10 series, 29 W
Omit - Buna - N	889625	<b>Connector Type</b>	
V - Viton	566080	<b>Omit</b> - No coil	<b>G</b> - ISO 4400 DIN 43650
<b>Manual Override Option</b>		<b>Q</b> - Spade terminals	<b>W</b> - Flying lead
<b>Omit</b> - No manual override	<b>Housing Material</b>	<b>N</b> - Deutsch (DC only)	<b>Y</b> - Amp JR (DC only)
<b>M</b> - Pull and Twist	<b>Omit</b> - No Housing	<b>D</b> - Metripack 150 male DC only)	<b>J</b> - Metripack 280 male (DC only)
	<b>S</b> - Steel	<b>Coil Voltage</b>	
<b>Housing</b>		<b>Code</b>	<b>Coil Voltage</b>
<b>Code</b>	<b>Ports</b>	<b>00</b>	No Coil, nut included, (p/n 02-175698)
00	No Housing	<b>12D</b>	12 VDC
2G	1/4" BSP	<b>24D</b>	24 VDC
3G	3/8" BSP	<b>115A</b>	115 VAC**
6T	#6 SAE	<b>230A</b>	230 VAC**
8T	#8 SAE	<b>12B</b>	2VDC/w diode*
	<b>Steel</b>	<b>24B</b>	24 VDC/w diode*
	02-175139	*Optional arc suppression diode	
	02-175140	**Internally rectified	
	02-175137	***Other voltage options available	
	02-175138		

\* Aluminum bodies are to be used for pressures less than 210 bar [3000 psi].  
\* Additional housings available