

Solenoid Valves

SV11-10-C

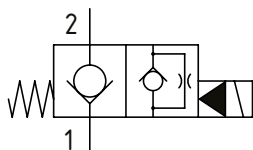
Solenoid Valve, 2-way, Poppet Type, Normally Closed, Pilot Operated

350 bar [5000 psi] • 45 l/min [12 US gpm]

OPERATION AND DESCRIPTION

This is a 2-way, 2-position, poppet type, pilot operated, normally closed solenoid valve. In its de-energized condition, flow passes from port 1 to 2 but is blocked in the opposite direction. When energized, flow passes from port 2 to 1 but is restricted in the opposite direction. Due to the low leakage provided by the poppet design, these valves can be used to hold loads in position and bypass excess oil to tank.

SCHEMATIC



PERFORMANCE DATA

Rated Pressure	350 bar [5000 psi]
Rated flow	45 l/min [12 US gpm]
Leakage	5 drops/min @ 350 bar [5000 psi]
Coil Options	H series
Weight	0,18 kg [0.39 lbs]
Cavity	SDC10-2

MODEL CODE

SV11 - 10 - V - C - M - S - 2G - 12D - G - H

Seal Option

Code	Seal kit
Omit	Buna - N 565803
V	Viton 566086

Manual Override Option

Omit - No manual override
M - Pull and Twist

Housing Material

Omit - No housing
S - Steel

Housing

Code	Ports	Steel
00	No Housing	
2G	1/4" BSP	02-175102
3G	3/8" BSP	02-175103
6T	#6 SAE	02-175100
8T	#8 SAE	02-175101

* Aluminum bodies are to be used for pressures less than 210 bar [3000 psi].
* Additional housings available

Coil Series

Omit - No coil
H - 10 series, 29 W

Connector Type

Omit - No coil
G - ISO 4400 DIN 43650
Q - Spade terminals
W - Flying lead
N - Deutsch (DC only)
Y - Amp JR (DC only)
D - Metripack 150 male (DC only)
J - Metripack 280 male (DC only)

Coil Voltage

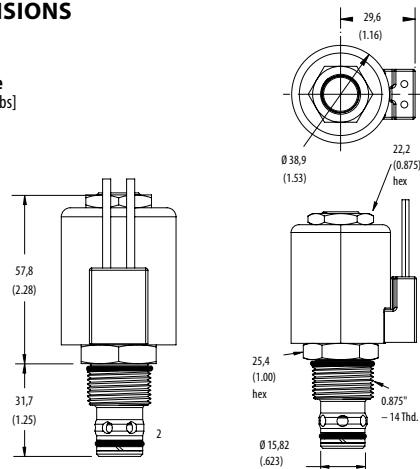
Code	Coil Voltage
00	No Coil, nut included, (p/n 02-175698)
12D	12 VDC
24D	24 VDC
115A	115 VAC**
230A	230 VAC**
12B	2VDC/w diode*
24B	24 VDC/w diode*

*Optional arc suppression diode
**Internally rectified
***Other voltage options available

DIMENSIONS

mm [in]

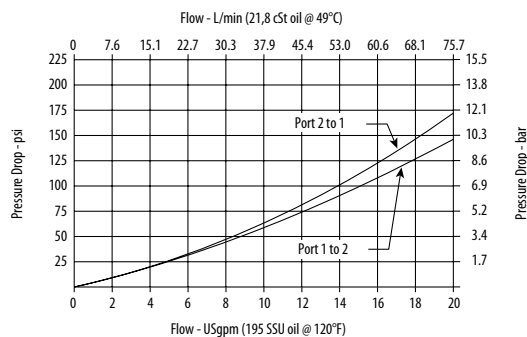
Coil nut torque
5-8 Nm [4-6 ft. lbs]



Installation torque
68-75 Nm [50-55 ft. lbs]

PERFORMANCE CURVES

Pressure Drop



A - Port 1 to 2 de-energized • B - Port 2 to 1 energized