

Solenoid Valves

SV11-10-3

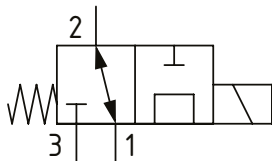
Solenoid Valve, 3-way, 2-position, Spool Type

350 bar [5000 psi] • 23 l/min [6 US gpm]

OPERATION AND DESCRIPTION

This is a 3-way, 2-position, spool type, direct acting solenoid valve. In the de-energized condition, port 1 is open to port 2 and port 3 is blocked. When energized, port 1 is open to port 3 and port 2 is blocked. These valves can be used in normally open, normally closed or selector modes. Always check the operating envelope to make sure the valve will work under the required application conditions.

SCHEMATIC



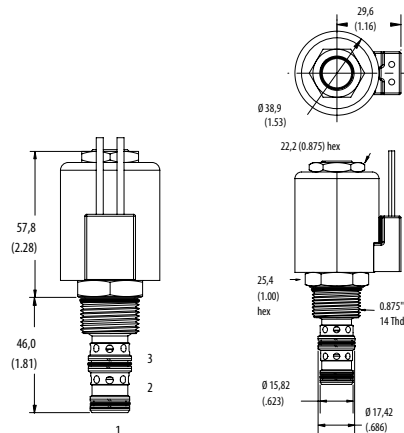
DIMENSIONS

mm [in]

Coil nut torque

5-8 Nm [4-6 ft. lbs]

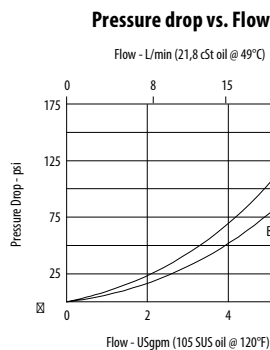
Installation torque
68-75 Nm [50-55 ft. lbs]



PERFORMANCE DATA

Rated Pressure	350 bar [5000 psi]
Flow Capability	23 l/min [6 US gpm]
Leakage	164 ml/min (10 in ³ /min) at 350 bar [5000 psi]
Coil Options	H series
Weight	0.19 kg [0.42 lb]
Cavity	SDC10-3

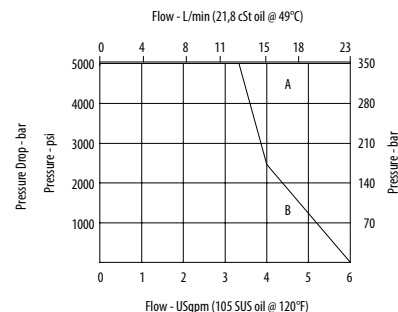
PERFORMANCE CURVES



A - Port 3 to port 1

B - Port 1 to port 2

Operating limits



A - Normally open, normally closed

B - Selector 1 to 2

MODEL CODE

SV11-10 - V - 3 - M - S - 2G - 12D - G - H

Seal Option

Code	Seal kit
Omit - Buna - N	889624
V - Viton	889628

Manual Override Option

Omit - No manual override
M - Pull and Twist

Housing Material

Omit - No Housing
S - Steel

Housing

Code	Ports	Steel
0	No Housing	
2G	1/4" BSP	02-175127
3G	3/8" BSP	02-175128
6T	#6 SAE	02-175124
8T	#8 SAE	02-175125

* Aluminum bodies are to be used for pressures less than 210 bar [3000 psi].

* Additional housings available

Coil Series

Omit - No coil
H - 10 series, 29 W

Connector Type

Omit - No coil
G - ISO 4400 DIN 43650
Q - Spade terminals
W - Flying lead
N - Deutsch (DC only)
Y - Amp JR (DC only)
D - Metripack 150 male (DC only)
J - Metripack 280 male (DC only)

Coil Voltage

Code	Coil Voltage
00	No Coil, nut included, (p/n 02-175698)
12D	12 VDC
24D	24 VDC
115A	115 VAC**
230A	230 VAC**
12B	2VDC/w diode*
24B	24 VDC/w diode*

*Optional arc suppression diode

**Internally rectified

***Other voltage options available