

# Solenoid Valves

## SV11M-12-3P

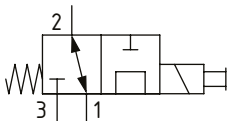
Solenoid Valve, 3-way, 2-position, Spool Type

350 bar [5000 psi] • 35 l/min [11 US gpm]

### OPERATION AND DESCRIPTION

This is a 3-way, 2-position, spool type, direct acting solenoid valve. In the de-energized condition, port 1 is open to port 2 and port 3 is blocked. When energized, port 1 is open to port 3 and port 2 is blocked. These valves can be used in normally open, normally closed or selector modes. Always check the operating envelope to make sure the valve will work under the required application conditions.

### SCHEMATIC



### PERFORMANCE DATA

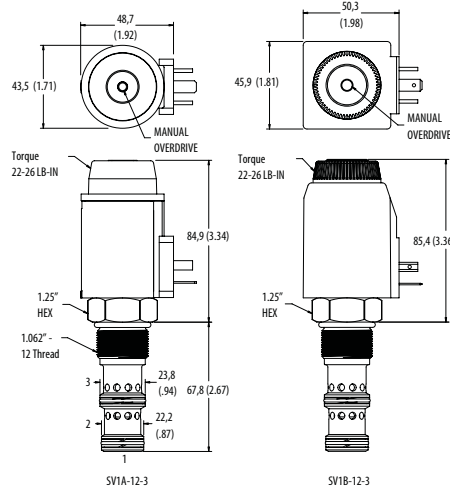
<b>Rated Pressure</b>	<b>350 bar [5000 psi]</b>
<b>Flow Capability</b>	<b>35 l/min [9 US gpm]</b>
<b>Leakage</b>	350 ml/min [21.5 in <sup>3</sup> /min] @ 210 bar [3000 psi]
<b>Coil Options</b>	R series
<b>Weight</b>	0.86 kg [1.9 lb]
<b>Cavity</b>	C-12-3

### DIMENSIONS

mm [in]

**Coil nut torque**

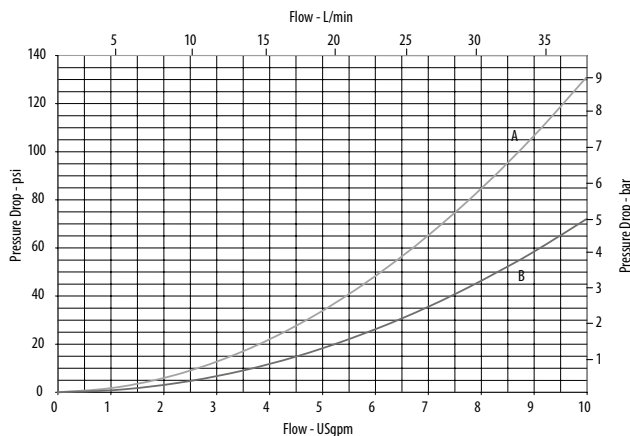
2.5-3 Nm [1.8-2.2 ft. lbs]



**Installation torque**  
81-95 Nm [60-70 ft. lbs]

### PERFORMANCE CURVES

#### Pressure Drop



A - Port 3 to 1 energized • B - Port 1 to 2 de-energized

### MODEL CODE

**SV11M - 12 - V - 3P - A - 6G - 12D - N - R**

#### Seal Option

Code	Seal kit
Omit-Buna - N	9900171-000
V-Viton	9900172-000

#### Housing Material

Omit - No housing  
A - Aluminium  
S - Steel

#### Housing

Code	Ports	Aluminium	Steel
0	No Housing		
6G	3/4" BSP	02-161816	
12H	#12 SAE	02-160646	
4G	1/2" BSP		02-169815
6G	3/4" BSP		02-169814
10T	#10 SAE		02-161070
12T	#12 SAE		02-169816

\* Aluminum bodies are to be used for pressures less than 210 bar [3000 psi].

\* Additional housings available

#### Coil Series

Omit -No coil  
R-R series, 30W

#### Connector Type

Omit - No coil  
N - Deutsch male, DT04-2P, integrated

#### Coil Voltage

Code	Coil Voltage
00	No Coil, nut included, (p/n 6036194-001)
12D	12 VDC
24D	24 VDC
12B	2VDC/w diode*
24B	24 VDC/w diode*

\*Optional arc suppression diode.