

Solenoid Valves

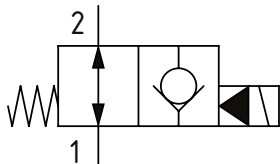
SV13-10-O

Solenoid Valve, 2-way, Poppet Type, Normally Open, Pilot Operated with Reverse Free Flow
350 bar [5000 psi] • 45 l/min [12 US gpm]

OPERATION AND DESCRIPTION

This is a 2-way, 2-position, poppet type, pilot operated, normally open solenoid valve. When de-energized, flow can take place from port 2 to 1 and from 1 to 2. In its energized condition, flow can take place from port 1 to 2 but is blocked in the other direction. Leakage is kept to a minimum due to the poppet design. These valves can be used to hold loads in position when energized, interrupt a pressure line where flow normally passes in both directions, or bypass excess oil to tank in a fail-safe way.

SCHEMATIC

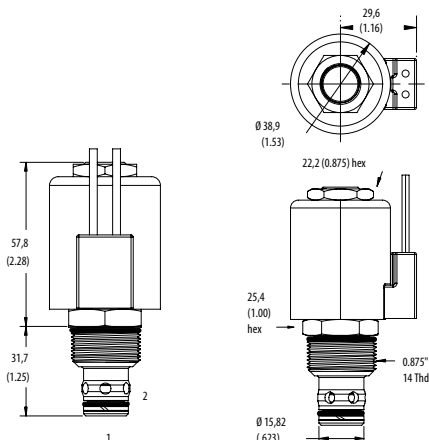


DIMENSIONS

mm [in]

Coil nut torque
 5-8 Nm [4-6 ft. lbs]

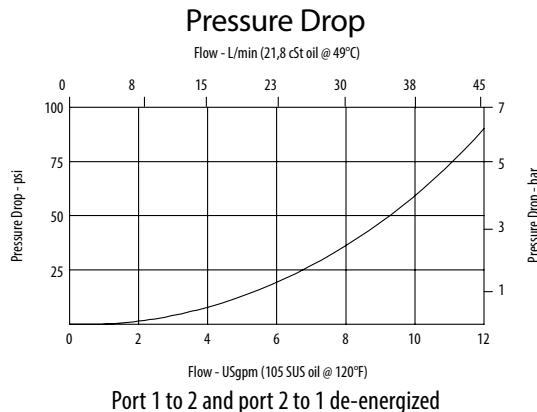
Installation torque
 68-75 Nm [50-55 ft. lbs]



PERFORMANCE DATA

Rated Pressure	350 bar [5000 psi]
Rated flow	45 l/min [12 US gpm]
Leakage	5 drops/ min @ 350 bar [5000 psi]
Coil Options	H series
Weight	0.18 kg [0.39 lb]
Cavity	SDC10-2

PERFORMANCE CURVES



Port 1 to 2 and port 2 to 1 de-energized

MODEL CODE

SV13 - 10 - V - O - P - S - 2G - 12D - G - H

Seal Option

Code	Seal kit
Omit - Buna - N	565803
V - Viton	566086

Manual Override Option

Omit - No manual override
 P - Push type
 S - Screw type

Housing Material

Omit - No Housing
 S - Steel

Housing

Code	Ports	Steel
0	No Housing	
2G	1/4" BSP	02-175102
3G	3/8" BSP	02-175103
6T	#6 SAE	02-175100
8T	#8 SAE	02-175101

* Aluminum bodies are to be used for pressures less than 210 bar [3000 psi].
 * Additional housings available

Coil Series

Omit - No coil
 H - 10 series, 29 W

Connector Type

Omit - No coil
 G - ISO 4400 DIN 43650
 Q - Spade terminals
 W - Flying lead
 N - Deutsch (DC only)
 Y - Amp JR (DC only)
 D - Metripack 150 male (DC only)
 J - Metripack 280 male (DC only)

Coil Voltage

Code	Coil Voltage
00	No Coil, nut included, (p/n 02-175698)
12D	12 VDC
24D	24 VDC
115A	115 VAC**
230A	230 VAC**
12B	2VDC/w diode*
24B	24 VDC/w diode*

*Optional arc suppression diode
 **Internally rectified
 ***Other voltage options available