

Solenoid Valves

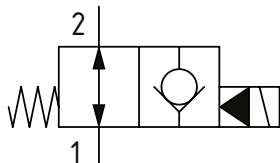
SV13-12-O

Solenoid Valve, 2-way, Poppet Type, Normally Closed, Pilot Operated with Reverse Free Flow
350 bar [5000 psi] • 114 l/min [30 US gpm]

OPERATION AND DESCRIPTION

This is a 2-way, 2-position, poppet type, pilot operated, normally open solenoid valve. When de-energized, flow can take place from port 2 to 1 and from 1 to 2. In its energized condition, flow can take place from port 1 to 2 but is blocked in the other direction. Leakage is kept to a minimum due to the poppet design. These valves can be used to hold loads in position when energized, interrupt a pressure line where flow normally passes in both directions, or bypass excess oil to tank in a fail-safe way.

SCHEMATIC



PERFORMANCE DATA

Rated Pressure	350 bar [5000 psi]
Rated flow	114 l/min [30 US gpm]
Leakage	5 drops/ min @ 350 bar [5000 psi]
Coil Options	H series
Weight	0.27 kg [0.59 lb]
Cavity	C-12-2 / C-12-2U

MODEL CODE

SV13 - 12 - V - O - P - S - 4G - U - 12D - G - H

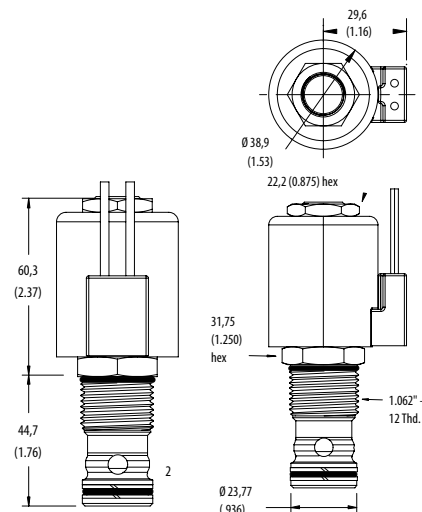
<p>Seal Option</p> <table border="1"> <tr> <th>Code</th> <th>Seal kit</th> </tr> <tr> <td>Omit - Buna - N</td> <td>02-165889</td> </tr> <tr> <td>V - Viton</td> <td>02-165888</td> </tr> </table> <p>Manual Override Option</p> <table border="1"> <tr> <td>Omit - No manual override</td> <td></td> </tr> <tr> <td>P - Push type</td> <td></td> </tr> <tr> <td>S - Screw type</td> <td></td> </tr> </table> <p>Housing</p> <table border="1"> <thead> <tr> <th>Code</th> <th>Ports</th> <th>C-12-2 Steel Heavy Duty</th> <th>C-12-2U Steel Heavy Duty</th> </tr> </thead> <tbody> <tr> <td>Omit</td> <td>No Housing</td> <td></td> <td></td> </tr> <tr> <td>4G</td> <td>1/2" BSP</td> <td>02-172062</td> <td>02-172512</td> </tr> <tr> <td>6G</td> <td>3/4" BSP</td> <td>02-169665</td> <td>02-162922</td> </tr> <tr> <td>10T</td> <td>#10 SAE</td> <td>02-169744</td> <td>02-169817</td> </tr> <tr> <td>12T</td> <td>#12 SAE</td> <td>02-169782</td> <td>02-169790</td> </tr> </tbody> </table> <p><small>* Aluminum bodies are to be used for pressures less than 210 bar [3000 psi]. * Additional housings available</small></p> <p>Cavity</p> <table border="1"> <tr> <td>Omit - Cavity without undercut/No housing</td> </tr> <tr> <td>U - Cavity with undercut</td> </tr> </table>	Code	Seal kit	Omit - Buna - N	02-165889	V - Viton	02-165888	Omit - No manual override		P - Push type		S - Screw type		Code	Ports	C-12-2 Steel Heavy Duty	C-12-2U Steel Heavy Duty	Omit	No Housing			4G	1/2" BSP	02-172062	02-172512	6G	3/4" BSP	02-169665	02-162922	10T	#10 SAE	02-169744	02-169817	12T	#12 SAE	02-169782	02-169790	Omit - Cavity without undercut/No housing	U - Cavity with undercut	<p>Housing Material</p> <table border="1"> <tr> <td>Omit - No Housing</td> </tr> <tr> <td>S - Steel</td> </tr> </table> <p>Coil Series</p> <table border="1"> <tr> <td>Omit - No coil</td> </tr> <tr> <td>H - 10 series, 29 W</td> </tr> </table> <p>Connector Type</p> <table border="1"> <tr> <td>Omit - No coil</td> </tr> <tr> <td>G - ISO 4400 DIN 43650</td> </tr> <tr> <td>Q - Spade terminals</td> </tr> <tr> <td>W - Flying lead</td> </tr> <tr> <td>N - Deutsch (DC only)</td> </tr> <tr> <td>Y - Amp JR (DC only)</td> </tr> <tr> <td>D - Metripack 150 male (DC only)</td> </tr> <tr> <td>J - Metripack 280 male (DC only)</td> </tr> </table> <p>Coil Voltage</p> <table border="1"> <thead> <tr> <th>Code</th> <th>Coil Voltage</th> </tr> </thead> <tbody> <tr> <td>00</td> <td>No Coil, nut included, (p/n 02-175698)</td> </tr> <tr> <td>12D</td> <td>12 VDC</td> </tr> <tr> <td>24D</td> <td>24 VDC</td> </tr> <tr> <td>115A</td> <td>115 VAC**</td> </tr> <tr> <td>230A</td> <td>230 VAC**</td> </tr> <tr> <td>12B</td> <td>2VDC/w diode*</td> </tr> <tr> <td>24B</td> <td>24 VDC/w diode*</td> </tr> </tbody> </table> <p><small>*Optional arc suppression diode **Internally rectified ***Other voltage options available</small></p>	Omit - No Housing	S - Steel	Omit - No coil	H - 10 series, 29 W	Omit - No coil	G - ISO 4400 DIN 43650	Q - Spade terminals	W - Flying lead	N - Deutsch (DC only)	Y - Amp JR (DC only)	D - Metripack 150 male (DC only)	J - Metripack 280 male (DC only)	Code	Coil Voltage	00	No Coil, nut included, (p/n 02-175698)	12D	12 VDC	24D	24 VDC	115A	115 VAC**	230A	230 VAC**	12B	2VDC/w diode*	24B	24 VDC/w diode*
Code	Seal kit																																																																		
Omit - Buna - N	02-165889																																																																		
V - Viton	02-165888																																																																		
Omit - No manual override																																																																			
P - Push type																																																																			
S - Screw type																																																																			
Code	Ports	C-12-2 Steel Heavy Duty	C-12-2U Steel Heavy Duty																																																																
Omit	No Housing																																																																		
4G	1/2" BSP	02-172062	02-172512																																																																
6G	3/4" BSP	02-169665	02-162922																																																																
10T	#10 SAE	02-169744	02-169817																																																																
12T	#12 SAE	02-169782	02-169790																																																																
Omit - Cavity without undercut/No housing																																																																			
U - Cavity with undercut																																																																			
Omit - No Housing																																																																			
S - Steel																																																																			
Omit - No coil																																																																			
H - 10 series, 29 W																																																																			
Omit - No coil																																																																			
G - ISO 4400 DIN 43650																																																																			
Q - Spade terminals																																																																			
W - Flying lead																																																																			
N - Deutsch (DC only)																																																																			
Y - Amp JR (DC only)																																																																			
D - Metripack 150 male (DC only)																																																																			
J - Metripack 280 male (DC only)																																																																			
Code	Coil Voltage																																																																		
00	No Coil, nut included, (p/n 02-175698)																																																																		
12D	12 VDC																																																																		
24D	24 VDC																																																																		
115A	115 VAC**																																																																		
230A	230 VAC**																																																																		
12B	2VDC/w diode*																																																																		
24B	24 VDC/w diode*																																																																		

DIMENSIONS

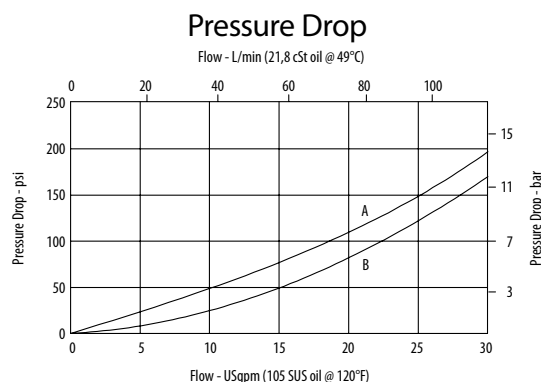
mm [in]

Coil nut torque
 5-8 Nm [4-6 ft. lbs]

Installation torque
 102-115 Nm [75-85 ft. lbs]



PERFORMANCE CURVES



A - Port 1 to 2 energized • B - Port 2 to 1 de-energized