

Solenoid Valves

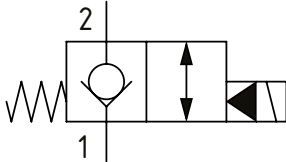
SV13-12-C

Solenoid Valve, 2-way, Poppet Type, Normally Closed, Pilot Operated with Reverse Free Flow
350 bar [5000 psi] • 114 l/min [30 USgpm]

OPERATION AND DESCRIPTION

This is a 2-way, 2-position, poppet type, pilot operated, normally closed solenoid valve. In its de-energized condition, flow passes from port 1 to 2 but is blocked in the opposite direction. When energized, flow passes from port 2 to 1 and from 1 to 2. Due to the low leakage provided by the poppet design, these valves can be used to hold loads in position or to interrupt a pressure line where flow normally passes in both directions.

SCHEMATIC



PERFORMANCE DATA

Rated Pressure	350 bar [5000 psi]
Rated flow	114 l/min [30 USgpm]
Leakage	5 drops/ min @ 350 bar (5000 psi)
Coil Options	H series
Weight	0.27 kg [0.59 lb]
Cavity	C-12-2 / C-12-2U

MODEL CODE

SV13 - 12 - V - C - M - S - 4G - U - 12D - G - H

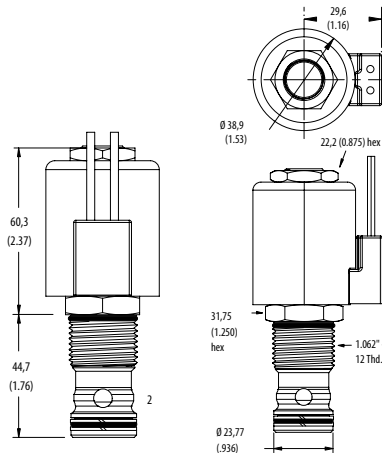
Seal Option		Housing Material				Coil Series	
Code	Seal kit	Omit - No Housing				Omit - No coil	
Omit-Buna - N	02-165889	A - Aluminium				H - 10 series, 29 W	
V-Viton	02-165888	S - Steel				Connector Type	
Manual Override Option		Housing				Omit - No coil	
Omit - No manual override		Code	Ports	C-12-2 Aluminum Heavy Duty	C-12-2U Aluminum Heavy Duty	C-12-2 Steel Heavy Duty	C-12-2U Steel Heavy Duty
M - Pull and Twist		Omit	No Housing				
		4G	1/2" BSP	02-161118	02-161116	02-172062	02-172512
		6G	3/4" BSP	02-161117	02-161115	02-169665	02-162922
		10T	#10 SAE	02-160640	02-160641	02-169744	02-169817
		12T	#12 SAE	02-160644	02-160645	02-169782	02-169790
		* Aluminum bodies are to be used for pressures less than 210 bar [3000 psi].					
		* Additional housings available					
Cavity		Coil Voltage					
Omit - Cavity without undercut/No housing		Code	Coil Voltage				
U - Cavity with undercut		00	No Coil, nut included, (p/n 02-175698)				
		12D	12 VDC				
		24D	24 VDC				
		115A	115 VAC**				
		230A	230 VAC**				
		12B	2VDC/w diode*				
		24B	24 VDC/w diode*				
		*Optional arc suppression diode					
		**Internally rectified					
		***Other voltage options available					

DIMENSIONS

mm [in]

Coil nut torque
 5-8 Nm [4-6 ft. lbs]

Installation torque
A - 81-95 Nm [60-70 ft. lbs]
S - 102-115 Nm [75-85 ft. lbs]



PERFORMANCE CURVES

