

Solenoid Valves

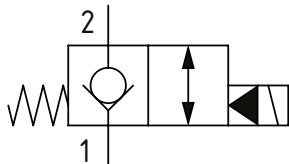
SV13-16-C

Solenoid Valve, 2-way, Poppet Type, Normally Closed, Pilot Operated with Reverse Free Flow
350 bar [5000 psi] • 132 l/min [35 US gpm]

OPERATION AND DESCRIPTION

This is a 2-way, 2-position, poppet type, pilot operated, normally closed solenoid valve. In its de-energized condition, flow passes from port 1 to 2 but is blocked in the opposite direction. When energized, flow passes from port 2 to 1 and from 1 to 2. Due to the low leakage provided by the poppet design, these valves can be used to hold loads in position or to interrupt a pressure line where flow normally passes in both directions.

SCHEMATIC

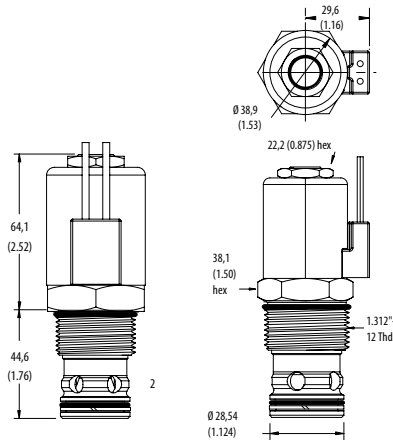


DIMENSIONS

mm [in]

Coil Nut Torque
 5-8 Nm [4-6 ft. lbs]

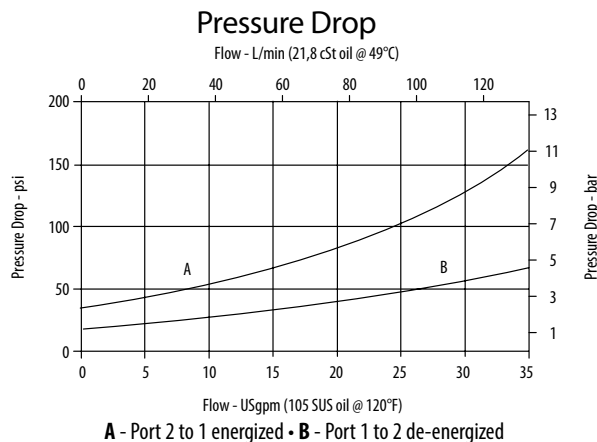
Installation torque
 136-149 Nm [100-110 ft. lbs]



PERFORMANCE DATA

Rated Pressure	350 bar [5000 psi]
Rated flow	132 l/min [35 US gpm]
Leakage	5 drops/ min @ 350 bar [5000 psi]
Coil Options	H series
Weight	0.39 kg [0.85 lb]
Cavity	SDC16-2

PERFORMANCE CURVES



MODEL CODE

SV13 - 16 - V - C - M - S - 4G - 12D - G - H

Seal Option

Code	Seal kit
Omit - Buna - N	565810
V - Viton	889609

Manual Override Option

Omit - No manual override
 M - Pull and Twist

Housing Material

Omit - No Housing
 S - Steel

Housing

Code	Ports	Steel
0	No Housing	
4G	1/2" BSP	02-175106
6G	3/4" BSP	02-175107
10T	#10 SAE	02-175104
12T	#12 SAE	02-175105

* Aluminum bodies are to be used for pressures less than 210 bar [3000 psi].
 * Additional housings available

Coil Series

Omit - No coil
 H - 10 series, 29 W

Connector Type

Omit - No coil
 G - ISO 4400 DIN 43650
 Q - Spade terminals
 W - Flying lead
 N - Deutsch (DC only)
 Y - Amp JR (DC only)
 D - Metripack 150 male (DC only)
 J - Metripack 280 male (DC only)

Coil Voltage

Code	Coil Voltage
00	No Coil, nut included, (p/n 02-175698)
12D	12 VDC
24D	24 VDC
115A	115 VAC**
230A	230 VAC**
12B	2VDC/w diode*
24B	24 VDC/w diode*

*Optional arc suppression diode
 **Internally rectified
 ***Other voltage options available