

Solenoid Valves

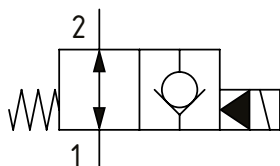
SV13-16-O

Solenoid Valve, 2-way, Poppet Type, Normally Open, Pilot Operated with Reverse Free Flow
350 bar [5000 psi] • 132 l/min [35 US gpm]

OPERATION AND DESCRIPTION

This is a 2-way, 2-position, poppet type, pilot operated, normally open solenoid valve. When de-energized, flow can take place from port 2 to 1 and from 1 to 2. In its energized condition, flow can take place from port 1 to 2 but is blocked in the other direction. Leakage is kept to a minimum due to the poppet design. These valves can be used to hold loads in position when energized, interrupt a pressure line where flow normally passes in both directions, or bypass excess oil to tank in a fail-safe way.

SCHEMATIC



PERFORMANCE DATA

Rated Pressure	350 bar [5000 psi]
Rated flow	132 l/min [35 US gpm]
Leakage	5 drops/min max @ 350 bar [5000 psi]
Coil Options	H series
Weight	0.39 kg [0.85 lb]
Cavity	SDC16-2

MODEL CODE

SV13 - 16 - V - O - P - S - 4G - 12D - G - H

Seal Option

Code	Seal kit
Omit - Buna - N	565810
V - Viton	889609

Manual Override Option

Omit - No manual override
P - Push type
S - Screw type

Housing Material

Omit - No Housing
S - Steel

Housing

Code	Ports	Steel
0	No Housing	
4G	1/2" BSP	02-175106
6G	3/4" BSP	02-175107
10T	#10 SAE	02-175104
12T	#12 SAE	02-175105

* Aluminum bodies are to be used for pressures less than 210 bar [3000 psi].

* Additional housings available

Coil Series

Omit - No coil
H - 10 series, 29 W

Connector Type

Omit - No coil
G - ISO 4400 DIN 43650
Q - Spade terminals
W - Flying lead
N - Deutsch (DC only)
Y - Amp JR (DC only)
D - Metripack 150 male (DC only)
J - Metripack 280 male (DC only)

Coil Voltage

Code	Coil Voltage
00	No Coil, nut included, (p/n 02-175698)
12D	12 VDC
24D	24 VDC
115A	115 VAC**
230A	230 VAC**
12B	2VDC/w diode*
24B	24 VDC/w diode*

*Optional arc suppression diode

**Internally rectified

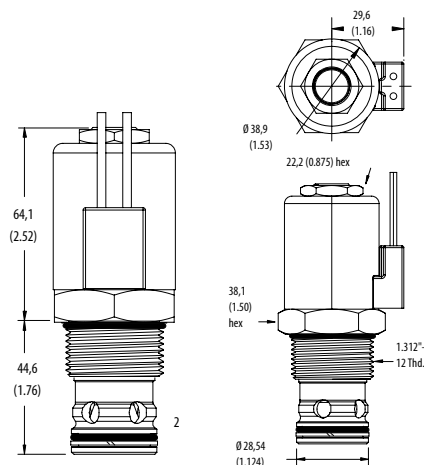
***Other voltage options available

DIMENSIONS

mm [in]

Coil nut torque
5-8 Nm [4-6 ft. lbs]

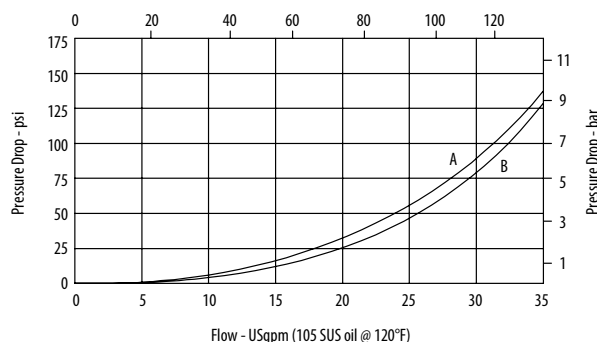
Installation torque
136-149 Nm [100-110 ft. lbs]



PERFORMANCE CURVES

Pressure Drop

Flow - L/min (21,8 cSt oil @ 49°C)



A - Port 2 to 1 de-energized • B - Port 1 to 2 energized