

Solenoid Valves

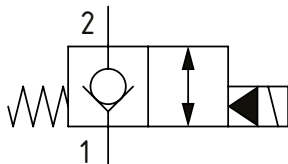
SV13-20-C

Solenoid Valve, 2-way, Poppet Type, Normally Closed, Pilot Operated with Reverse Free Flow
350 bar [5000 psi] • 230 l/min [60 US gpm]

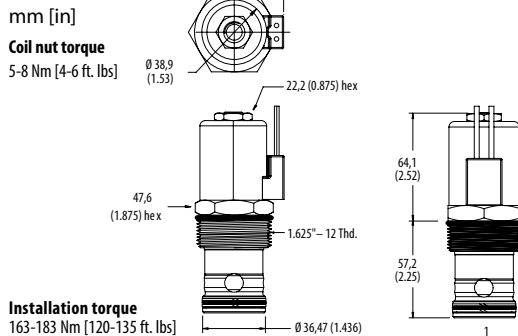
■ OPERATION AND DESCRIPTION

This is a 2-way, 2-position, poppet type, pilot operated, normally closed solenoid valve. In its de-energized condition, flow passes from port 1 to 2 but is blocked in the opposite direction. When energized, flow passes from port 2 to 1 and from 1 to 2. Due to the low leakage provided by the poppet design, these valves can be used to hold loads in position or to interrupt a pressure line where flow normally passes in both directions.

■ SCHEMATIC



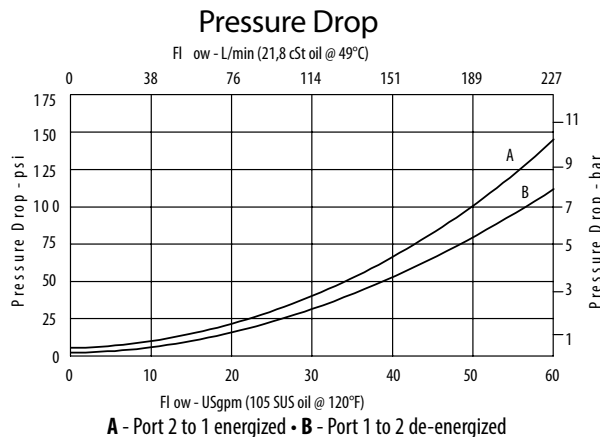
■ DIMENSIONS



■ PERFORMANCE DATA

Rated Pressure	350 bar [5000 psi]
Rated flow	230 l/min [60 US gpm]
Leakage	5 drops/ min @ 350 bar [5000 psi]
Coil Options	H series
Weight	0.12 kg [1.37 lb]
Cavity	SDC20-2

■ PERFORMANCE CURVES



■ MODEL CODE

SV13 - 20 - V - C - M - S - 6G - 12D - G - H

Seal Option

Code	Seal kit
Omit - Buna - N	889615
V - Viton	889619

Manual Override Option

Omit - No manual override
M - Pull and Twist

Housing Material

Omit - No Housing
S - Steel

Housing

Code	Ports	Steel
0	No Housing	
6G	3/4" BSP	02-175110
8G	1" BSP	02-175111
12T	#12 SAE	02-175108
16T	#16 SAE	02-175109

* Aluminum bodies are to be used for pressures less than 210 bar [3000 psi].
* Additional housings available

Coil Series

Omit - No coil
H - 10 series, 29 W

Connector Type

Omit - No coil
G - ISO 4400 DIN 43650
Q - Spade terminals
W - Flying lead
N - Deutsch (DC only)
Y - Amp JR (DC only)
D - Metripack 150 male (DC only)
J - Metripack 280 male (DC only)

Coil Voltage

Code	Coil Voltage
00	No Coil, nut included, (p/n 02-175698)
12D	12 VDC
24D	24 VDC
115A	115 VAC**
230A	230 VAC**
12B	2VDC/w diode*
24B	24 VDC/w diode*

*Optional arc suppression diode
**Internally rectified
***Other voltage options available