

Solenoid Valves

SV14-10-C

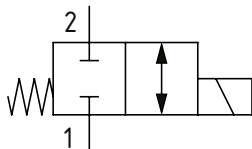
Solenoid Valve, 2-way, Spool Type, Normally Closed

350 bar [5000 psi] • 23 l/min [6 US gpm]

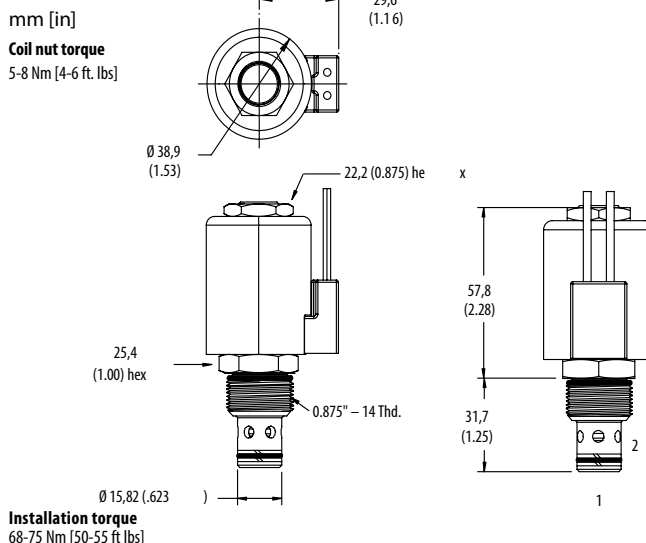
OPERATION AND DESCRIPTION

This is a 2-way, 2-position, spool type, normally closed solenoid valve. In its de-energized condition flow is blocked in both directions. When energized, flow can take place from port 2 to 1 and from 1 to 2. The valve will be subject to normal spool leakage dependent on the pressure difference between the ports. These valves can be used to interrupt a pressure line where flow is expected to pass in both directions in the de-energized condition.

SCHEMATIC



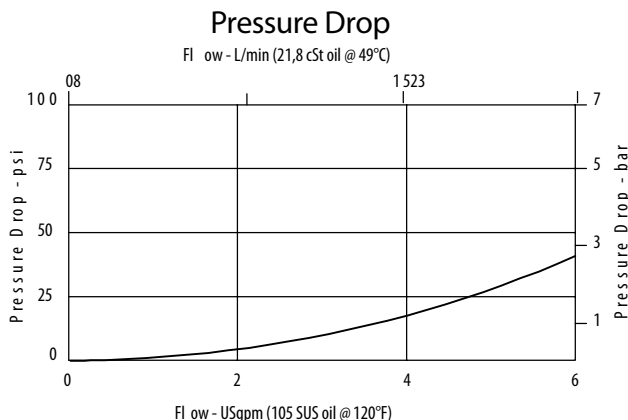
DIMENSIONS



PERFORMANCE DATA

Rated Pressure	350 bar [5000 psi]
Flow Capability	23 l/min [6 US gpm]
Leakage	140 ml/min (8.5 in ³ /min) max @ 350 bar [5000 psi]
Coil Options	H series
Weight	0.18 kg [0.39 lb]
Cavity	SDC10-2

PERFORMANCE CURVES



MODEL CODE

SV14 - 10 - V - C - M - S - 2G - 12D - G - H

<p>Seal Option</p> <table border="1"> <tr> <th>Code</th> <th>Seal kit</th> </tr> <tr> <td>Omit - Buna - N</td> <td>565806</td> </tr> <tr> <td>V - Viton</td> <td>889627</td> </tr> </table> <p>Manual Override Option</p> <p>Omit - No manual override M - Pull and Twist</p> <p>Housing</p> <table border="1"> <thead> <tr> <th>Code</th> <th>Ports</th> <th>Steel</th> </tr> </thead> <tbody> <tr> <td>0</td> <td>No Housing</td> <td></td> </tr> <tr> <td>2G</td> <td>1/4" BSP</td> <td>02-175102</td> </tr> <tr> <td>3G</td> <td>3/8" BSP</td> <td>02-175103</td> </tr> <tr> <td>6T</td> <td>#6 SAE</td> <td>02-175100</td> </tr> <tr> <td>8T</td> <td>#8 SAE</td> <td>02-175101</td> </tr> </tbody> </table> <p>* Aluminum bodies are to be used for pressures less than 210 bar [3000 psi]. * Additional housings available</p>	Code	Seal kit	Omit - Buna - N	565806	V - Viton	889627	Code	Ports	Steel	0	No Housing		2G	1/4" BSP	02-175102	3G	3/8" BSP	02-175103	6T	#6 SAE	02-175100	8T	#8 SAE	02-175101	<p>Housing Material</p> <p>Omit - No Housing S - Steel</p> <p>Coil Series</p> <p>Omit - No coil H - 10 series, 29 W</p> <p>Coil Voltage</p> <table border="1"> <thead> <tr> <th>Code</th> <th>Coil Voltage</th> </tr> </thead> <tbody> <tr> <td>00</td> <td>No Coil, nut included, (p/n 02-175698)</td> </tr> <tr> <td>12D</td> <td>12 VDC</td> </tr> <tr> <td>24D</td> <td>24 VDC</td> </tr> <tr> <td>115A</td> <td>115 VAC**</td> </tr> <tr> <td>230A</td> <td>230 VAC**</td> </tr> <tr> <td>12B</td> <td>2VDC/w diode*</td> </tr> <tr> <td>24B</td> <td>24 VDC/w diode*</td> </tr> </tbody> </table> <p>*Optional arc suppression diode **Internally rectified ***Other voltage options available</p>	Code	Coil Voltage	00	No Coil, nut included, (p/n 02-175698)	12D	12 VDC	24D	24 VDC	115A	115 VAC**	230A	230 VAC**	12B	2VDC/w diode*	24B	24 VDC/w diode*	<p>Connector Type</p> <p>Omit - No coil G - ISO 4400 DIN 43650 Q - Spade terminals W - Flying lead N - Deutsch (DC only) Y - Amp JR (DC only) D - Metripack 150 male (DC only) J - Metripack 280 male (DC only)</p>
Code	Seal kit																																									
Omit - Buna - N	565806																																									
V - Viton	889627																																									
Code	Ports	Steel																																								
0	No Housing																																									
2G	1/4" BSP	02-175102																																								
3G	3/8" BSP	02-175103																																								
6T	#6 SAE	02-175100																																								
8T	#8 SAE	02-175101																																								
Code	Coil Voltage																																									
00	No Coil, nut included, (p/n 02-175698)																																									
12D	12 VDC																																									
24D	24 VDC																																									
115A	115 VAC**																																									
230A	230 VAC**																																									
12B	2VDC/w diode*																																									
24B	24 VDC/w diode*																																									