

Solenoid Valves

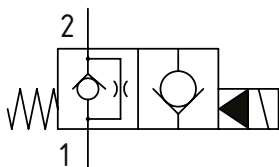
SV15-10-O

Solenoid Valve, 2-way, Poppet Type, Normally Open, Pilot Operated
350 bar [5000 psi] • 45 l/min [12 US gpm]

OPERATION AND DESCRIPTION

This is a 2-way, 2-position, poppet type, pilot operated, normally open solenoid valve. In its de-energized condition, flow can take place from port 2 to 1 but is restricted in the other direction. When energized, flow can take place from port 1 to 2 but is blocked in the other direction. Leakage is kept to a minimum due to the poppet design. These valves can be used to hold loads in position when energized or bypass excess oil to tank in a fail-safe way.

SCHEMATIC



PERFORMANCE DATA

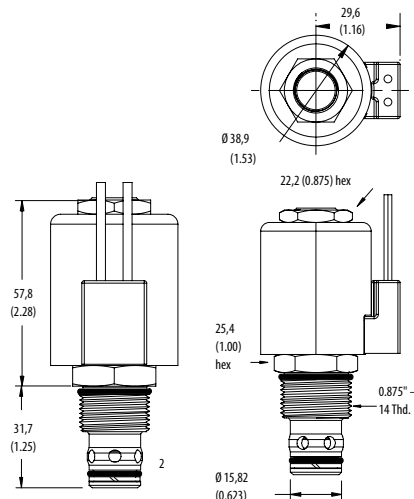
Rated Pressure	350 bar [5000 psi]
Rated flow	45 l/min [12 US gpm]
Leakage	5 drops/ min @ 350 bar [5000 psi]
Coil Options	H series
Weight	0.18 kg [0.39 lb]
Cavity	SDC10-2

DIMENSIONS

mm [in]

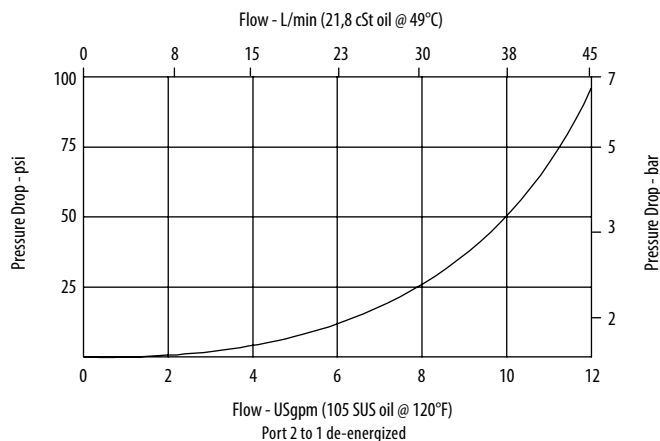
Coil nut torque
5-8 Nm [4-6 ft. lbs]

Installation torque
68-75 Nm [50-55 ft. lbs]



PERFORMANCE CURVES

Pressure Drop



MODEL CODE

SV15 - 10 - V - O - P - S - 2G - 12D - G - H

<p>Seal Option</p> <table border="1"> <thead> <tr> <th>Code</th> <th>Seal kit</th> </tr> </thead> <tbody> <tr> <td>Omit - Buna - N</td> <td>565803</td> </tr> <tr> <td>V - Viton</td> <td>566086</td> </tr> </tbody> </table> <p>Manual Override Option</p> <p>Omit - No manual override P - Push type S - Screw type</p> <p>Housing</p> <table border="1"> <thead> <tr> <th>Code</th> <th>Ports</th> <th>Steel</th> </tr> </thead> <tbody> <tr> <td>00</td> <td>No Housing</td> <td></td> </tr> <tr> <td>2G</td> <td>1/4" BSP</td> <td>02-175102</td> </tr> <tr> <td>3G</td> <td>3/8" BSP</td> <td>02-175103</td> </tr> <tr> <td>6T</td> <td>#6 SAE</td> <td>02-175100</td> </tr> <tr> <td>8T</td> <td>#8 SAE</td> <td>02-175101</td> </tr> </tbody> </table> <p><small>* Aluminum bodies are to be used for pressures less than 210 bar [3000 psi]. * Additional housings available</small></p>	Code	Seal kit	Omit - Buna - N	565803	V - Viton	566086	Code	Ports	Steel	00	No Housing		2G	1/4" BSP	02-175102	3G	3/8" BSP	02-175103	6T	#6 SAE	02-175100	8T	#8 SAE	02-175101	<p>Housing Material</p> <p>Omit - No Housing S - Steel</p>	<p>Coil Series</p> <p>Omit - No coil H - 10 series, 29 W</p> <p>Connector Type</p> <p>Omit - No coil G - ISO 4400 DIN 43650 Q - Spade terminals W - Flying lead N - Deutsch (DC only) Y - Amp JR (DC only) D - Metripack 150 male (DC only) J - Metripack 280 male (DC only)</p> <p>Coil Voltage</p> <table border="1"> <thead> <tr> <th>Code</th> <th>Coil Voltage</th> </tr> </thead> <tbody> <tr> <td>00</td> <td>No Coil, nut included, (p/n 02-175698)</td> </tr> <tr> <td>12D</td> <td>12 VDC</td> </tr> <tr> <td>24D</td> <td>24 VDC</td> </tr> <tr> <td>115A</td> <td>115 VAC**</td> </tr> <tr> <td>230A</td> <td>230 VAC**</td> </tr> <tr> <td>12B</td> <td>2VDC/w diode*</td> </tr> <tr> <td>24B</td> <td>24VDC/w diode*</td> </tr> </tbody> </table> <p><small>*Optional arc suppression diode **Internally rectified ***Other voltage options available</small></p>	Code	Coil Voltage	00	No Coil, nut included, (p/n 02-175698)	12D	12 VDC	24D	24 VDC	115A	115 VAC**	230A	230 VAC**	12B	2VDC/w diode*	24B	24VDC/w diode*
Code	Seal kit																																									
Omit - Buna - N	565803																																									
V - Viton	566086																																									
Code	Ports	Steel																																								
00	No Housing																																									
2G	1/4" BSP	02-175102																																								
3G	3/8" BSP	02-175103																																								
6T	#6 SAE	02-175100																																								
8T	#8 SAE	02-175101																																								
Code	Coil Voltage																																									
00	No Coil, nut included, (p/n 02-175698)																																									
12D	12 VDC																																									
24D	24 VDC																																									
115A	115 VAC**																																									
230A	230 VAC**																																									
12B	2VDC/w diode*																																									
24B	24VDC/w diode*																																									