

Solenoid Valves

SV2-20-C

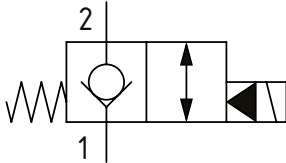
Solenoid Valve, 2-way, Poppet Type, Normally Closed, Pilot Operated with Reverse Free Flow

210 bar [3000 psi] • 230 l/min [60 USgpm]

OPERATION AND DESCRIPTION

This is a 2-way, 2-position, poppet type, pilot operated, normally closed solenoid valve. In its de-energized condition, flow passes from port 1 to 2 but is blocked in the opposite direction. When energized, flow passes from port 2 to 1 and from 1 to 2. Due to the low leakage provided by the poppet design, these valves can be used to hold loads in position or to interrupt a pressure line where flow normally passes in both directions.

SCHEMATIC



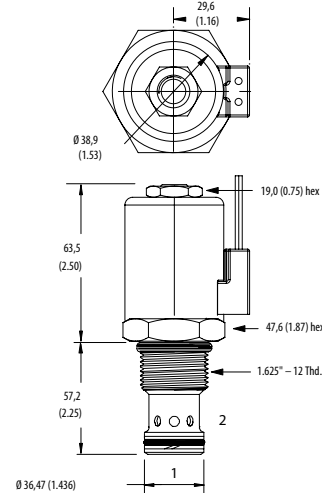
PERFORMANCE DATA

Rated Pressure	210 bar [3000 psi]
Rated flow	230 l/min [60 USgpm]
Leakage	5 drops/ min @ 210 bar [3000 psi]
Coil Options	J series
Weight	1.2 kg [2.70 lb]
Cavity	SDC20-2

DIMENSIONS

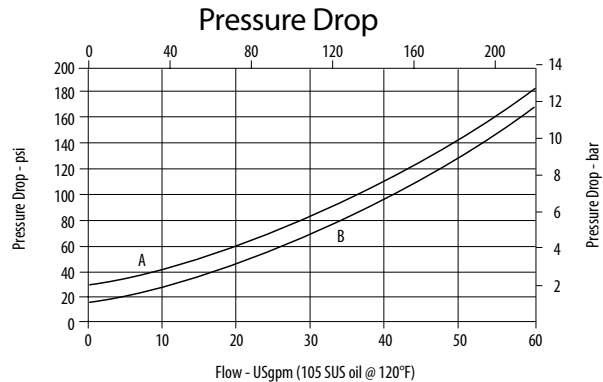
mm [in]

Coil nut torque
5-8 Nm [4-6 ft. lbs]



Installation torque
128-155 Nm [95-115 ft. lbs]

PERFORMANCE CURVES



A - Port 1 to 2 de-energized • B - Port 2 to 1 energized

MODEL CODE

SV2 - 20 - V - C - M - 8B - 12D - G

Seal Option

Code	Seal kit
Omit-Buna - N	889615
V-Viton	889619

Manual Override Option

Omit - No manual override
M - Pull and Twist
R - Cable type

Housing

Code	Ports	Aluminum Standard duty	Aluminum Heavy duty
0	No Housing		
8B	1" BSP	02-175464	
16T	#16 SAE	566409	
6G	3/4" BSP		876732
8G	1" BSP		876734
12H	#12 SAE		876733
16H	#16 SAE		876735

* Aluminum bodies are to be used for pressures less than 210 bar [3000 psi].
* Additional housings available

Connector Type

Omit - No coil
G - ISO 4400 DIN 43650
Q - Spade terminals
W - Flying lead
N - Deutsch (DC only)
Y - Amp JR (DC only)
D - Metripack 150 male (DC only)
J - Metripack 280 male (DC only)

Coil Voltage

Code	Coil Voltage
00	No Coil, nut included (p/n 565558)
12D	12 VDC
24D	24 VDC
115A	115 VAC**
230A	230 VAC**
12B	2VDC/w diode*
24B	24 VDC/w diode*

*Optional arc suppression diode
**Internally rectified
***Other voltage options available