

Solenoid Valves

SV3-20-O

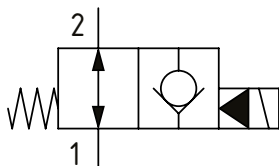
Solenoid Valve, 2-way, Poppet Type, Normally Open, Pilot Operated with Reverse Free Flow

210 bar [3000 psi] • 230 l/min [60 US gpm]

OPERATION AND DESCRIPTION

This is a 2-way, 2-position, poppet type, pilot operated, normally open solenoid valve. When de-energized, flow can take place from port 2 to 1 and from 1 to 2. In its energized condition, flow can take place from port 1 to 2 but is blocked in the other direction. Leakage is kept to a minimum due to the poppet design. These valves can be used to hold loads in position when energized, interrupt a pressure line where flow normally passes in both directions, or bypass excess oil to tank in a fail-safe way.

SCHEMATIC



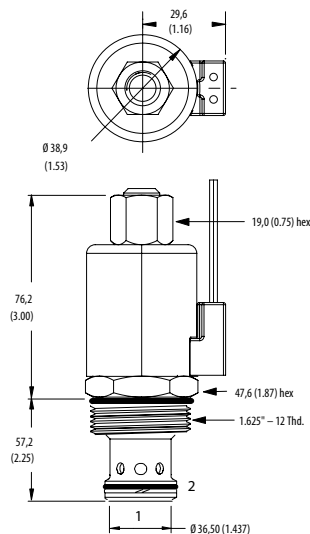
PERFORMANCE DATA

Rated Pressure	210 bar [3000 psi]
Rated flow	230 l/min [60 US gpm]
Leakage	5 drops/min max @ 210 bar [3000 psi]
Coil Options	J series
Weight	1.2 kg [2.70 lb]
Cavity	SDC20-2

DIMENSIONS

mm [in]

Coil nut torque
5-8 Nm [4-6 ft. lbs.]

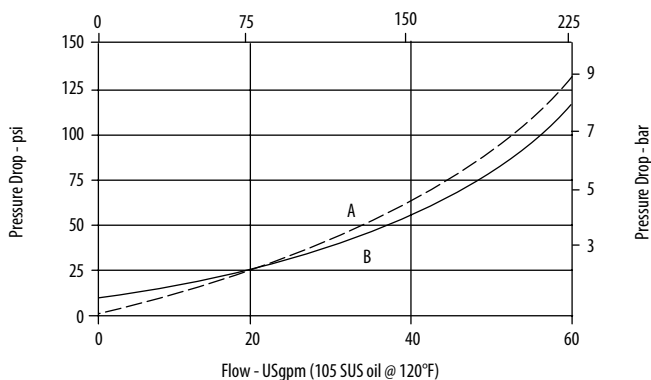


Installation torque
128-155 Nm [95-115 ft. lbs.]

PERFORMANCE CURVES

Pressure Drop

Flow - L/min (21,8 cSt oil @ 49°C)



A - Port 2 to 1 and port 1 to 2 de-energized • B - Port 1 to 2 energized

MODEL CODE

SV3 - 20 - V - O - P - 8G - 12D - G

Seal Option

Code	Seal kit
Omit-Buna - N	889615
V-Viton	889619

Manual Override Option

Omit - No manual override
P - Push type
S - Screw type

Housing

Code	Ports	Aluminum Standard duty	Aluminum Heavy duty
0	Cartridge only		
8B	1" BSPP	02-175464	
16T	SAE 16	566409	
6G	3/4" BSPP		876732
8G	1" BSPP		876734
12H	SAE 12		876733
16H	SAE 16		876735

* Aluminum bodies are to be used for pressures less than 210 bar [3000 psi].

* Additional housings available

Connector Type

Omit - No coil
G - ISO 4400 DIN 43650
Q - Spade terminals
W - Flying lead
N - Deutsch (DC only)
Y - Amp JR (DC only)
D - Metripack 150 male (DC only)
J - Metripack 280 male (DC only)

Coil Voltage

Code	Coil Voltage
00	No Coil, nut included, (p/n 565559)
12D	12 VDC
24D	24 VDC
115A	115 VAC**
230A	230 VAC**
12B	2VDC/w diode*
24B	24 VDC/w diode*

*Optional arc suppression diode

**Internally rectified

***Other voltage options available