

# Solenoid Valves

## SV15-8-O

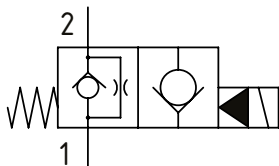
Solenoid Valve, 2-way, Poppet Type, Normally Open, Pilot Operated

350 bar [5000 psi] • 38 l/min [10 US gpm]

### OPERATION AND DESCRIPTION

This is a 2-way, 2-position, poppet type, pilot operated, normally open solenoid valve. In its de-energized condition flow can take place from port 2 to 1 but restricted in the other direction. When energized flow can take place from port 1 to 2 but is blocked in the other direction. Leakage is kept to a minimum due to the poppet design. These valves can be used to hold loads in position when energized or bypass excess oil to tank in a fail-safe way.

### SCHEMATIC



### PERFORMANCE DATA

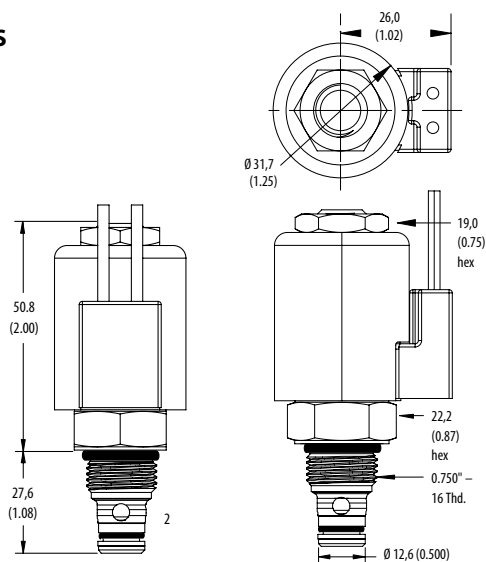
<b>Rated Pressure</b>	<b>350 bar [5000 psi]</b>
<b>Rated flow</b>	<b>38 l/min [10 US gpm]</b>
<b>Leakage</b>	5 drops/ min @ 210 bar [3000 psi]
<b>Coil Options</b>	P series
<b>Weight</b>	0.11 kg [0.25 lb]
<b>Cavity</b>	SDC08-2

### DIMENSIONS

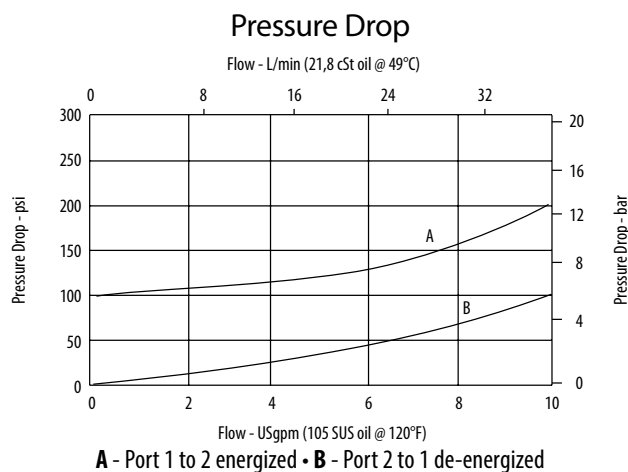
mm [in]

**Coil nut torque**  
5-8 Nm [4-6 ft. lbs]

**Installation torque**  
34-41 Nm [25-30 ft. lbs]



### PERFORMANCE CURVES



### MODEL CODE

**SV15 - 8 - V - O - P - S - 2G - 12D - G - P**

<p><b>Seal Option</b></p> <table border="1"> <tr> <th>Code</th> <th>Seal kit</th> </tr> <tr> <td>Omit - Buna - N</td> <td>02-165875</td> </tr> <tr> <td>V - Viton</td> <td>02-165877</td> </tr> </table> <p><b>Manual Override Option</b></p> <p>Omit - No manual override P - Push type S - Screw type</p> <p><b>Housing</b></p> <table border="1"> <thead> <tr> <th>Code</th> <th>Ports</th> <th>Steel</th> </tr> </thead> <tbody> <tr> <td>00</td> <td>No Housing</td> <td></td> </tr> <tr> <td>2G</td> <td>1/4" BSP</td> <td>02-160733</td> </tr> <tr> <td>3G</td> <td>3/8" BSP</td> <td>02-160734</td> </tr> <tr> <td>4T</td> <td>#4 SAE</td> <td>02-160736</td> </tr> <tr> <td>6T</td> <td>#6 SAE</td> <td>02-160737</td> </tr> <tr> <td>8T</td> <td>#8 SAE</td> <td>02-160738</td> </tr> </tbody> </table> <p><b>Housing Material</b></p> <p>Omit - No Housing S - Steel</p>	Code	Seal kit	Omit - Buna - N	02-165875	V - Viton	02-165877	Code	Ports	Steel	00	No Housing		2G	1/4" BSP	02-160733	3G	3/8" BSP	02-160734	4T	#4 SAE	02-160736	6T	#6 SAE	02-160737	8T	#8 SAE	02-160738	<p><b>Coil Series</b></p> <p>Omit - No coil P - 8 Series, 23 W</p> <p><b>Coil Voltage</b></p> <table border="1"> <thead> <tr> <th>Code</th> <th>Coil Voltage</th> </tr> </thead> <tbody> <tr> <td>00</td> <td>No Coil, nut included (p/n 565558)</td> </tr> <tr> <td>12D</td> <td>12 VDC</td> </tr> <tr> <td>24D</td> <td>24 VDC</td> </tr> <tr> <td>115A</td> <td>115 VAC**</td> </tr> <tr> <td>230A</td> <td>230 VAC**</td> </tr> <tr> <td>12B</td> <td>2VDC/w diode*</td> </tr> <tr> <td>24B</td> <td>24 VDC/w diode*</td> </tr> </tbody> </table> <p>*Optional arc suppression diode **Internally rectified ***Other voltage options available</p>	Code	Coil Voltage	00	No Coil, nut included (p/n 565558)	12D	12 VDC	24D	24 VDC	115A	115 VAC**	230A	230 VAC**	12B	2VDC/w diode*	24B	24 VDC/w diode*	<p><b>Connector Type</b></p> <p>Omit - No coil G - ISO 4400 DIN 43650 Q - Spade terminals W - Flying lead N - Deutsch (DC only) Y - Amp JR (DC only) D - Metripack 150 male (DC only) J - Metripack 280 male (DC only)</p>
Code	Seal kit																																												
Omit - Buna - N	02-165875																																												
V - Viton	02-165877																																												
Code	Ports	Steel																																											
00	No Housing																																												
2G	1/4" BSP	02-160733																																											
3G	3/8" BSP	02-160734																																											
4T	#4 SAE	02-160736																																											
6T	#6 SAE	02-160737																																											
8T	#8 SAE	02-160738																																											
Code	Coil Voltage																																												
00	No Coil, nut included (p/n 565558)																																												
12D	12 VDC																																												
24D	24 VDC																																												
115A	115 VAC**																																												
230A	230 VAC**																																												
12B	2VDC/w diode*																																												
24B	24 VDC/w diode*																																												

\* Aluminum bodies are to be used for pressures less than 210 bar [3000 psi].  
\* Additional housings available