

Solenoid Valves

SV4M-12-3P

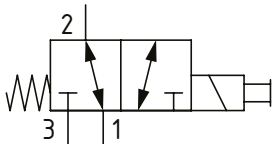
Solenoid Valve, 3-way, 2-position, Spool Type

210 bar [3000 psi] • 42 l/min [11 US gpm]

OPERATION AND DESCRIPTION

This is a 3-way, 2-position, spool type, direct acting solenoid valve. In the de-energized condition, port 1 is open to port 2 and port 3 is blocked. When energized, port 3 is open to port 2 and port 1 is blocked. These valves can be used in normally open, normally closed or selector modes. Always check the operating envelope to make sure the valve will work under the required application conditions.

SCHEMATIC

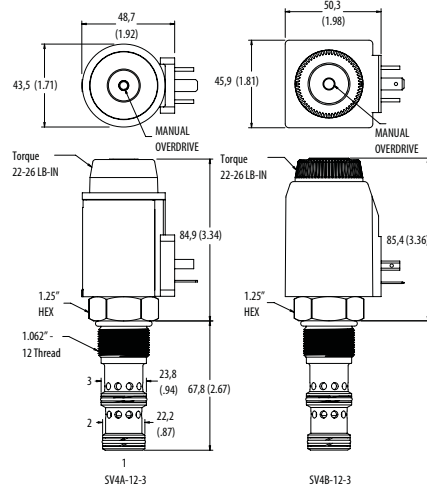


DIMENSIONS

mm [in]

Coil nut torque

2.5-3 Nm [1.8-2.2 ft. lbs]



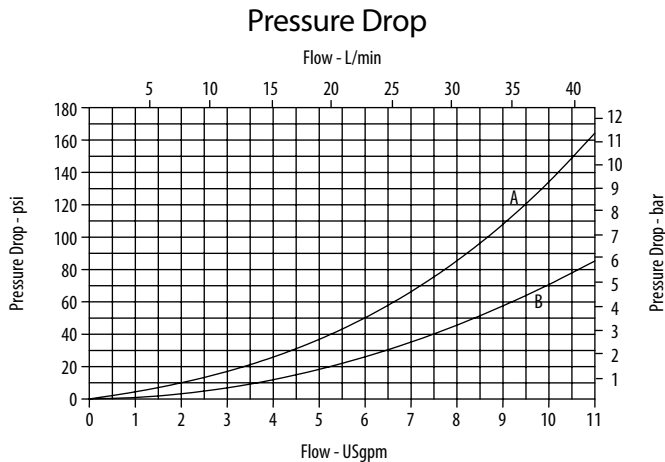
Installation torque

81-95 Nm [60-70 ft. lbs]

PERFORMANCE DATA

Rated Pressure	210 bar [3000 psi]
Flow Capability	42 l/min [11 US gpm]
Leakage	300 ml/min (21.5 in ³ /min) @ 210 bar [3000 psi]
Coil Options	R series
Weight	0.86 kg [1.9 lb]
Cavity	C-12-3

PERFORMANCE CURVES



A - Port 3 to 2 energized • B - Port 2 to 1 de-energized

MODEL CODE

SV4M - 12 - V - 3P - A - 0 - 12D - N - R

Seal Option

Code	Seal kit
Omit - Buna - N	9900171-000
V - Viton	9900172-000

Housing Material

Omit - No housing
A - Aluminium

Housing

Code	Ports	Aluminum
0	No Housing	
6G	3/4" BSP	02-161816
12H	#12 SAE	02-160646

* Aluminum bodies are to be used for pressures less than 210 bar [3000 psi].
* Additional housings available

Coil Series

Omit - No coil
R - R series, 30W

Connector Type

Omit - No coil
N - Deutsch (DC only)

Coil Voltage

Code	Coil Voltage
00	No Coil, nut included, (p/n 6036194-001)
12D	12 VDC
24D	24 VDC
12B	2VDC/w diode*
24B	24 VDC/w diode*

*Optional arc suppression diode.